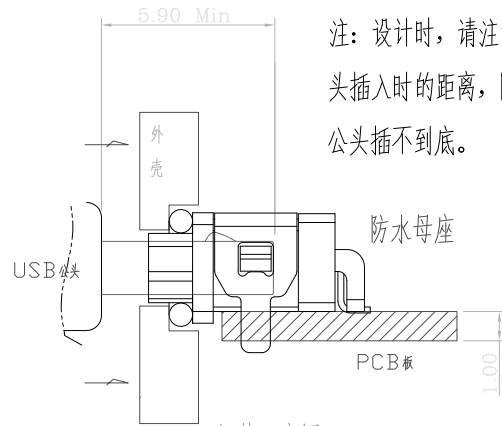
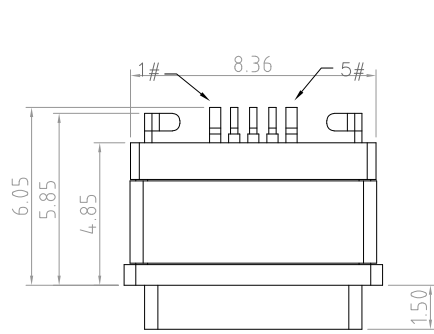
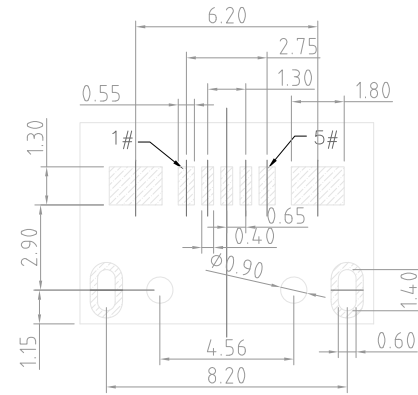


RoHS



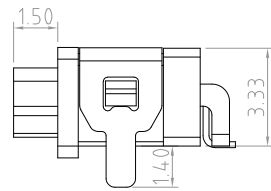
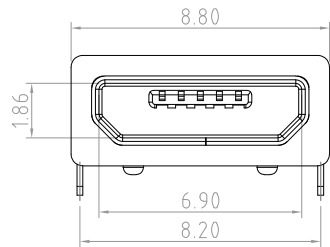
注：设计时，请注意公头插入时的距离，防止公头插不到位。

组装示意图



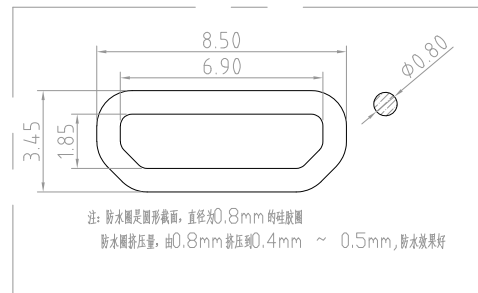
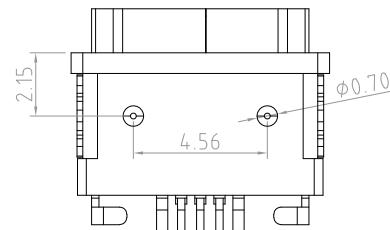
RECOMMENDED PCB LAYOUT(TOP VIEW)

THICKNESS T=1.0mm
DEFAULT TOLERANCE+/-0.05



SPECIFICATIONS:

- ELECTRICAL CHARACTERISTICS:
 - RATING: 3A(PIN1&5),0.5A(PIN2&3&4);
 - CONTACT RESISTANCE: 30 mΩ MAX.(INITIAL);
 - DIELECTRIC WITHSTANDING: 500V AC MIN.;
 - INSULATION RESISTANCE: 1000MΩ MIN.;
- DURABILITY: 5,000 CYCLES MIN.;
- INSERTION FORCE: 3.5Kgf (35N) Max.;
- EXTRACTION FORCE: 0.8Kgf (8N) Min.;
- WATER PROOFNESS:THIS PRODUCT IS BASED ON IPX8
- PLUG INTERFACE DIMENSIONS CONFORM TO USB2.0 SPEC.
- PACKAGING: TAPE & REEL.



3	Shell	1	SUS304R-1/2H Ni PlatingT=0.25mm	
2	Contact	5	Phosphor bronze_C5191R-EH Au/Ni Plating T=0.20mm	
1	Housing	1	PA10T (G.F30%)	
ITEM	PARTNAME	Q'TY	FINISH	NOTE

UNITS mm	SCALE 1:1	REV.	SHEET 1 OF 1	深圳市创勤科技有限公司 SHENZHEN CHUANGQIN TECHNOLOGY CO.,LTD.	
DATE 2017.04.15		DR. LIN YUN		TITLE CQ-MUB-FSWX	
GENERAL TOLERANCE		CHK.	LI JY	MAT'L SEE TABLE	FINISH SEE TABLE
X.	±0.50	APPD.	ZHANG	DWG.NO.	PART NO.
X.X	±0.30			A	SEE TABLE
X.XX	±0.10				SIZE A4
X.XXX	±0.05				
X.X*	±1*				
X.XX*	±0.5*				

Contact Number	Signal Name	Remarks
1#	VBUS	Power
2#	D-	Date-
3#	D+	Date+
4#	ID	Reserve or Gound
5#	GND	Gound