

RoHS Compliant

更改 REV	设计内容 MODIFICATION	日期 DATE	制图 DRAW	核准 APPROVE
A	图面发行	2012/10/29	LINYUN	ZHANG

NOTE:

MATERIAL:

- CONTACT: PHOSPHOR BRONZE T=0.20mm.
- CONNECTOR HOUSING: HIGH TEMPERATURE PLASTIC UL 94V-0. COLOR: BLACK.
- MOULDED INSERT: HIGH TEMPERATURE PLASTIC UL 94V-0. COLOR:BLACK.
- CAGE: COPPER ALLOY T=0.25mm.
- LIGHT PIPE'S: POLYCAPRONATT UL 94V 0 COLOP CLTAP
- EMI CLIP: COPPER ALLOY.

PLATED:

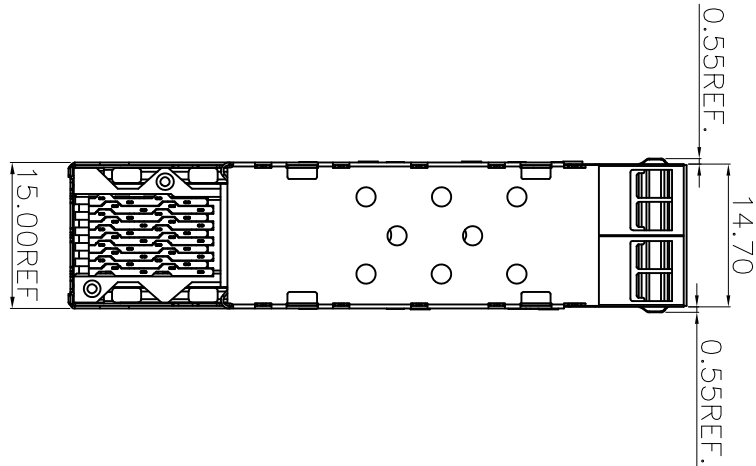
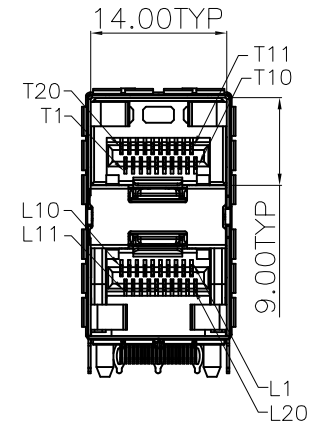
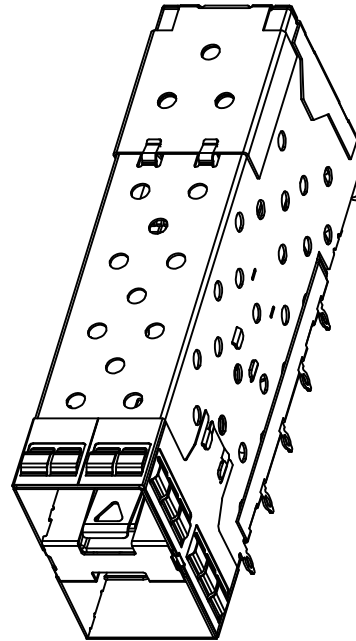
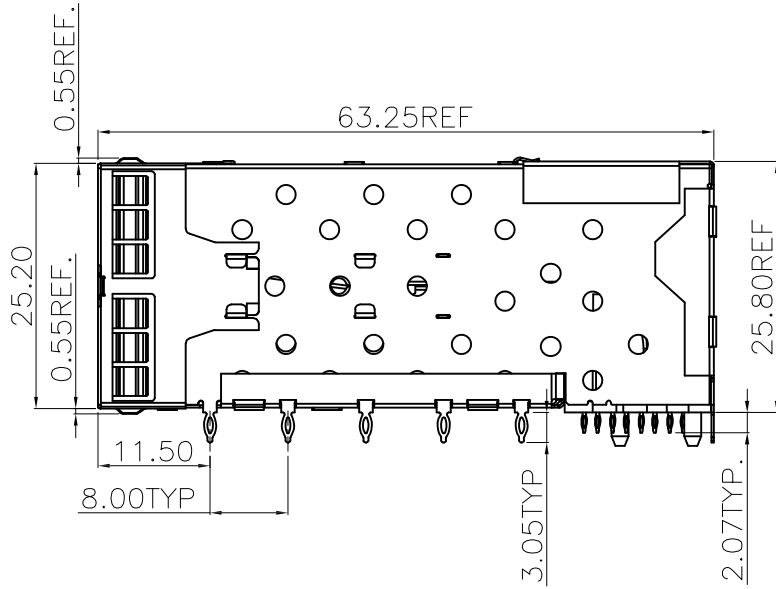
- CONTACT AREA : PLATING GOLD(SEE TABLE) MINIMUM OVER 1.25~2.54 MICROMETERS NICKEL.
- CONTACT NEEDLE EYE: 2.54~5.08 MICROMETERS MATTE TIN OVER 1.25~2.54 MICROMETERS NICKEL.
- EMI CLIP: 2.54~5.08 MICROMETERS TIN OVER 0.76~2.54 MICROMETERS NICKEL.

MECHANICAL REQUIREMENT:

- DURABILITY: 100 CYCLES MINIMUM.
- INSERTION AND EXTRACTION FORCE: 40N MAXIMUM & 11.5N MAXIMUM

ENVIRONMENTAL:

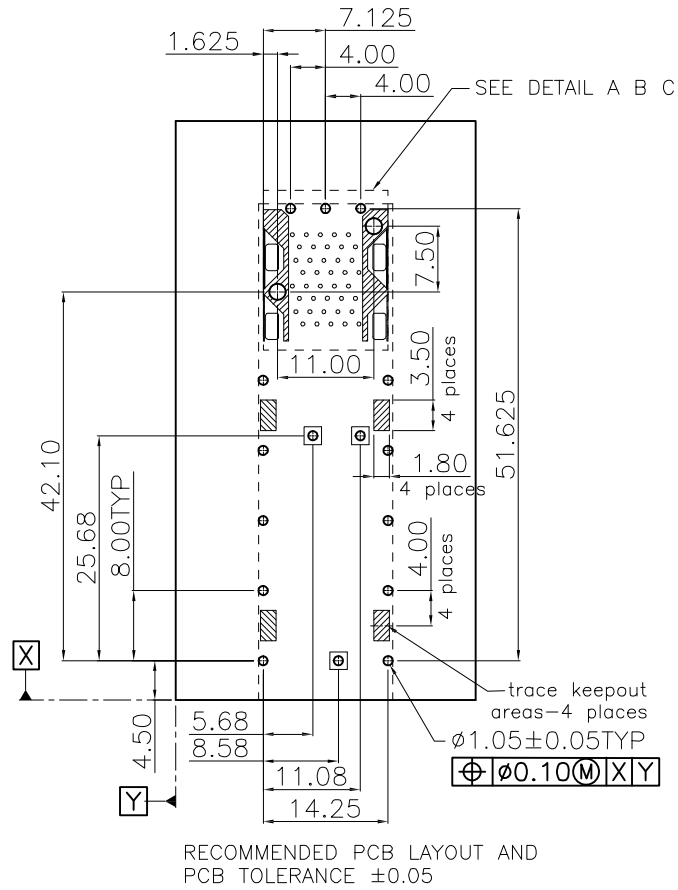
- LOW LEVEL CONTACT RESISTANCE(LLCR):
D R 10 MILLIOHMS MAXIMUM FOR SHIELD AND SIGNAL CONTACTS.
- WITHSTANDING VOLTAGE: 300V AC/MAXIMUM.
- INSULATION RESISTANCE: 1×10^9 OHMS MINIMUM.
- RATINGS CURRENT: 0.5 Amps MAXIMUM.
- RATINGS VOLTAGE: 120 volts AC.
- OPERATION: -40°C~+85°C.
- STORAGE: -55°C~+105°C.
- ROHS COMPLIANT



HTTPS://WWW.CHNCONN.COM		深圳市创勤电子有限公司 SHENZHEN CHUANGQIN ELECTRONICS CO.,LTD.	
Inspection Item Cp/Cpk and SPC Control Item	DIMENSION IN mm [Inch]		料号 PART NO: CQ047-SFP+2X1-L01-P
	TOLERANCE UNLESS OTHERWISE SPECIFIED		图号 DWG NO. SFP+2X1-L01-GZ
	.X± 0.25	X°± 1°	名称 TITLE SFP+ CAGE 2X1 PRESS FIT
	.XX± 0.20	.X°± 0.5°	
.XXX± 0.15		核准 APPROVE ZHANG	审核 CHECK LIJY
		制图 DRAW LINYUN	画法 PROJ. 比例 SCALE 1:1
		图框 SHEET A3	张数 SHEET 1 / 1
		更改 REV A	

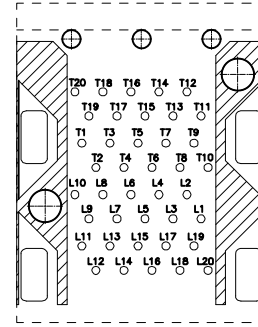
RoHS Compliant

更改 REV	设计内容 MODIFICATION	日期 DATE	制图 DRAW	核准 APPROVE
A	图面发行	2012/10/29	LINYUN	ZHANG

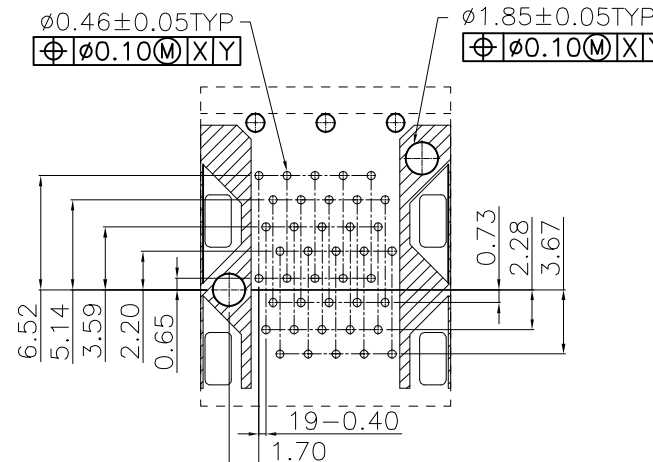


RECOMMENDED PCB LAYOUT AND
PCB TOLERANCE ±0.05

- RECOMMENDED PCB THICKNESS:2.36
(MINIMUM PCB THICKNESS:1.57)



DETAIL A
SCALE 2:1

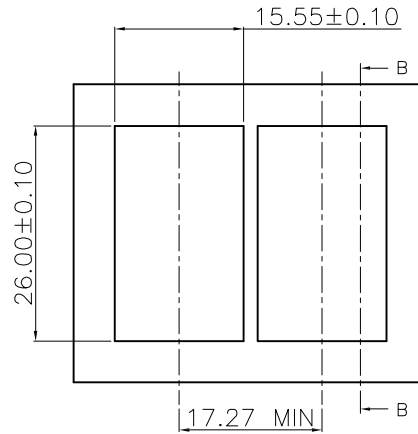


DETAIL B
SCALE 2:1

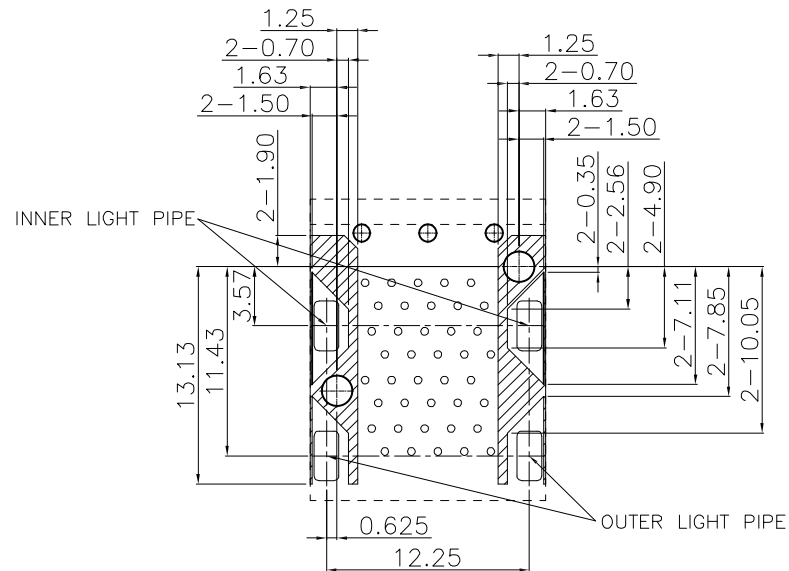
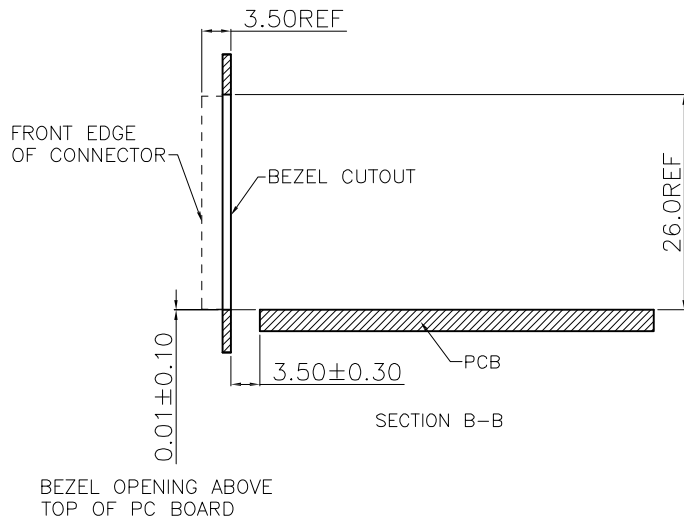
HTTPS://WWW.CHNCONN.COM		深圳市创勤电子有限公司 SHENZHEN CHUANGQIN ELECTRONICS CO.,LTD.	
Inspection Item Cp/Cpk and SPC Control Item	DIMENSION IN mm [Inch]		料号 PART NO: CQ047-SFP+2X1-L01-P
	TOLERANCE UNLESS OTHERWISE SPECIFIED		图号 DWG NO.SFP+2X1-L01-GZ
	.X±0.25	X°± 1°	名称 TITLE SFP+ CAGE 2X1 PRESS FIT
	.XX±0.20	.X°± 0.5°	
.XXX±0.15		制图 DRAW LINYUN	角法 PROJ. 比例 SCALE 1:1
核准 APPROVE ZHANG	审核 CHECK LIJY	图框 SIZE A3	页次 SHEET 1 / 2 更改 REV A

RoHS Compliant

更改 REV	设计内容 MODIFICATION	日期 DATE	制图 DRAW	核准 APPROVE
A	图面发行	2012/10/29	LINYUN	ZHANG



RECOMMENDED PANEL CUTOUT AND PC BOARD
PANEL POSITION AND THICKNESS 0.8-2.6



DETAIL C
SCALE 2:1

HTTPS://WWW.CHNCONN.COM		深圳市创勤电子有限公司 SHENZHEN CHUANGQIN ELECTRONICS CO., LTD.								
DIMENSION IN mm [Inch]		料号 PART NO: CQ047-SFP+2X1-L01-P	图号 DWG NO. SFP+2X1-L01-GZ							
TOLERANCE UNLESS OTHERWISE SPECIFIED		名称 TITLE SFP+ CAGE 2X1 PRESS FIT								
.X±0.25	X.°± 1°	<table border="1"> <tr> <td>核准 APPROVE ZHANG</td> <td>审核 CHECK LIJY</td> <td>制图 DRAW LINYUN</td> <td>角法 PROJ. 比例 SCALE 1:1</td> <td>图框 SHEET A3</td> <td>页次 SHEET 1 / 3</td> <td>更改 REV A</td> </tr> </table>		核准 APPROVE ZHANG	审核 CHECK LIJY	制图 DRAW LINYUN	角法 PROJ. 比例 SCALE 1:1	图框 SHEET A3	页次 SHEET 1 / 3	更改 REV A
核准 APPROVE ZHANG	审核 CHECK LIJY			制图 DRAW LINYUN	角法 PROJ. 比例 SCALE 1:1	图框 SHEET A3	页次 SHEET 1 / 3	更改 REV A		
.XX±0.20	.X°± 0.5°									
.XXX±0.15										
◎ : Inspection Item	◎ : Cp/Cpk and SPC Control Item									