

REV.	ECN NO	LOCATIONS	DESCRIPTION	DATE

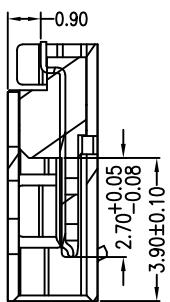
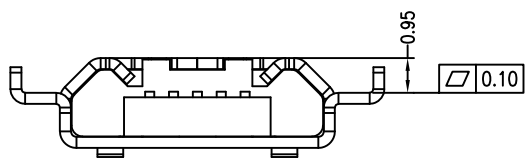
Note:

1.Material:

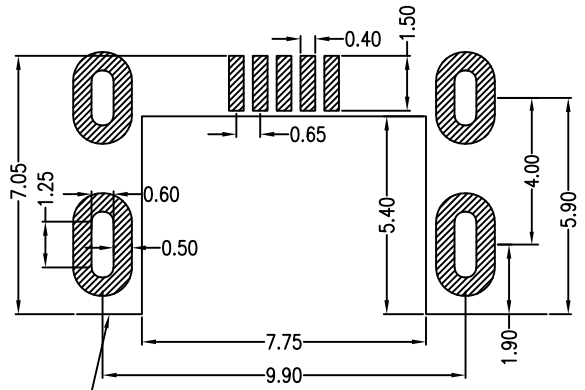
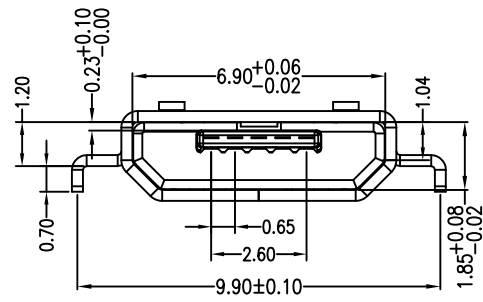
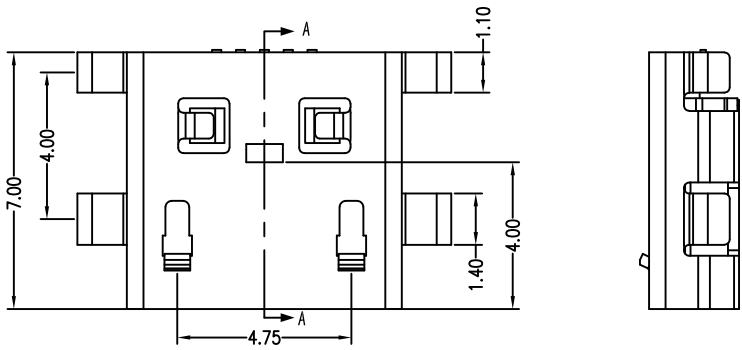
- 1.1 Housing: High temperature thermoplastic with g.f,UL94v-0
- 1.2 Contact: copper alloy,t=0.15mm
- 1.3 Shell: copper alloy,t=0.30mm

2.Specification:

- 2.1 Current rating:1,5PIN 1.8A Max/2,3,4PIN 1A Max.
- 2.2 Dielectric withstanding voltage: 100 V(ac) for 1 min.
- 2.3 Contact resistance: 30 mΩ Max.
- 2.4 Insulation resistance: 100 MΩ Min.
- 2.5 Total mating force: 3.57 Kgf Max.
- 2.6 Total unmating force: 1.0 Kgf Min.
- 2.7 Temperature range: -30°C~80°C

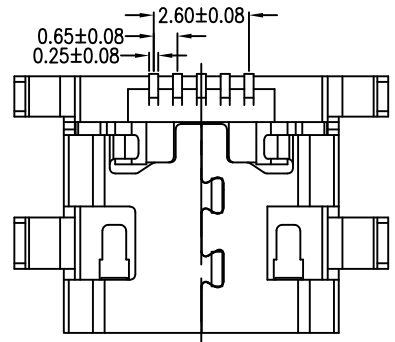


剖面 A-A



RECOMMENDED PCB LAYOUT
TOLERANCE:±0.03

PCB图仅供参考



PART NO:		MATERIAL: SEE NOTE	深圳市创勤电子有限公司 SHENZHEN CHUANGQIN ELECTRONICS CO., LTD.	
MODEL NO: XX		FINISH: SEE NOTE	TITLE: Micro usb 5s B Type Smt沉板0.9长7.0主体升级	
UNIT: MM	SIZE: A4	COLOR: SEE NOTE	DWG NO: CQ067-MFCB05090117	REV: A
TOLERANCE UNSPECIFIED		DR: LINYUN	SCALE: 5:1	DATE: 2012.05.22
.x	0.15	CHK: LIJY		
.xx	0.10	APP: ZHANG		
.xxx	0.05			
Ang.	1°			