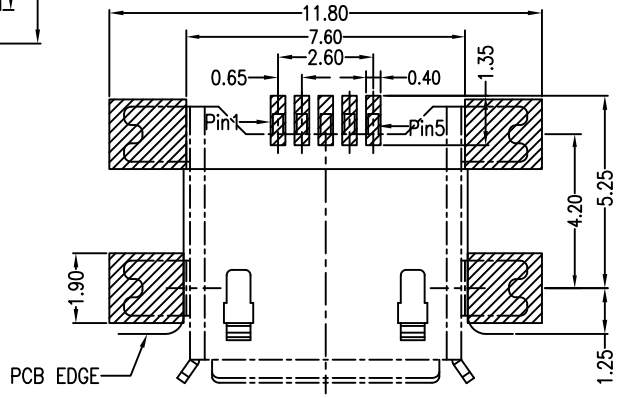
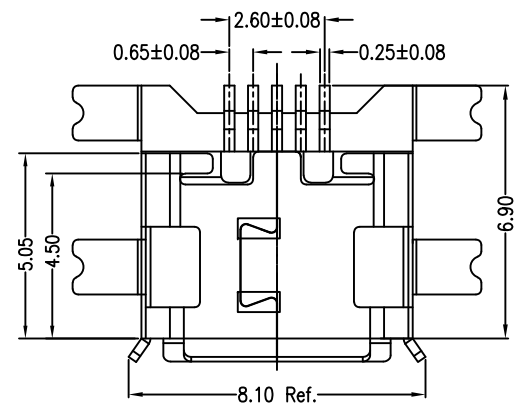
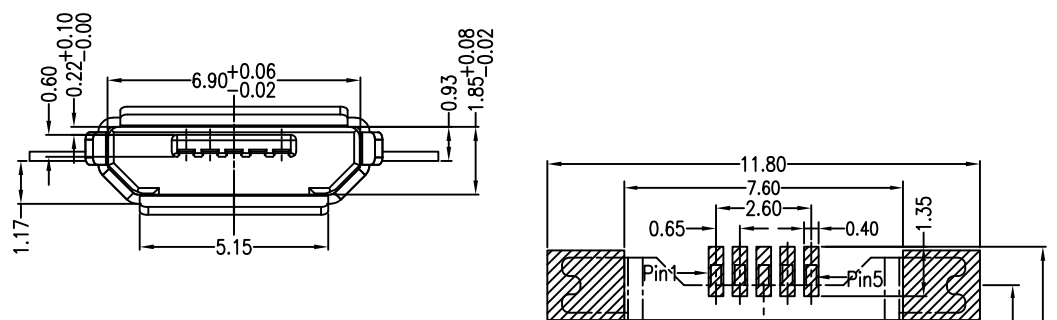
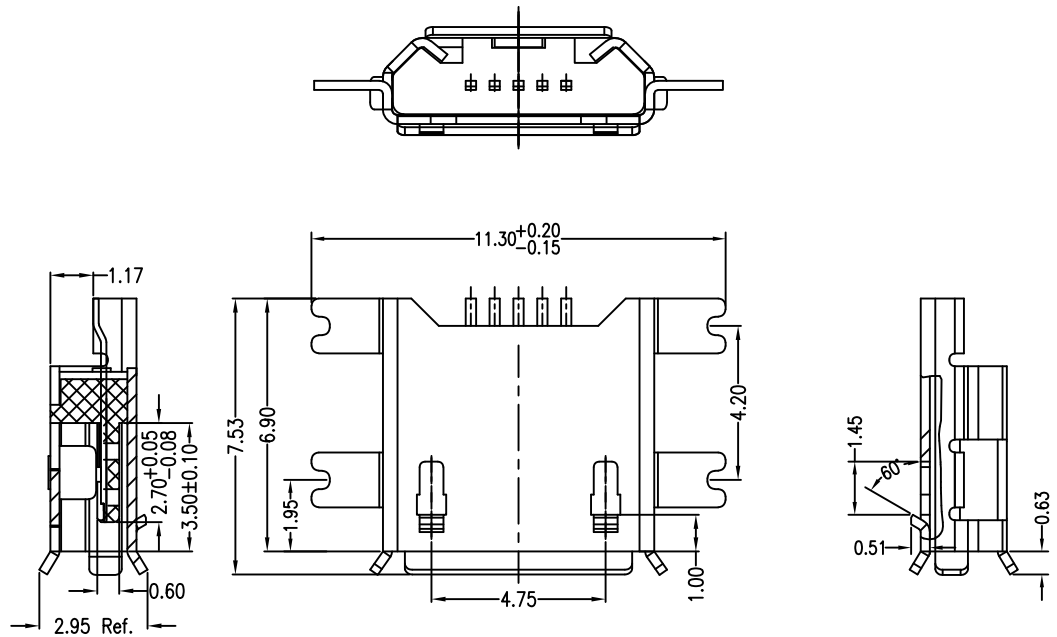


REV.	ECN NO	LOCATIONS	DESCRIPTION	DATE

Note:

- Material:
  - Housing: High temperature thermoplastic with g.f,UL94v-0
  - Contact: copper alloy,t=0.15mm
  - Shell: copper alloy,t=0.25mm
- Specification:
  - Current rating:1,5PIN 1.8A Max/2,3,4PIN 1A Max.
  - Dielectric withstanding voltage: 100 V(ac) for 1 min.
  - Contact resistance: 30 mΩ Max.
  - Insulation resistance: 100 MΩ Min.
  - Total mating force: 3.57 Kgf Max.
  - Total unmating force: 1.0 Kgf Min.
  - Temperature range: -30°C~80°C



RECOMMENDED PCB LAYOUT  
PCB图仅供参考

PART NO:		MATERIAL: SEE NOTE	深圳市创勤电子有限公司 SHENZHEN CHUANGQIN ELECTRONICS CO., LTD.	
MODEL NO: XX		FINISH: SEE NOTE	TITLE:	
UNIT: MM	SIZE: A4	COLOR: SEE NOTE	Micro usb 5s B Type 破板式1.17 Smt 四脚全贴	
TOLERANCE UNSPECIFIED		DR: LINYUN	DWG NO: CQ067-MFQT05110001	REV: A
.x	±0.15	CHK: LIJY	SCALE: 5:1	DATE: 2012.05.22
.xx	±0.10	APP: ZHANG		
.xxx	±0.05			
Ang.	±1°			