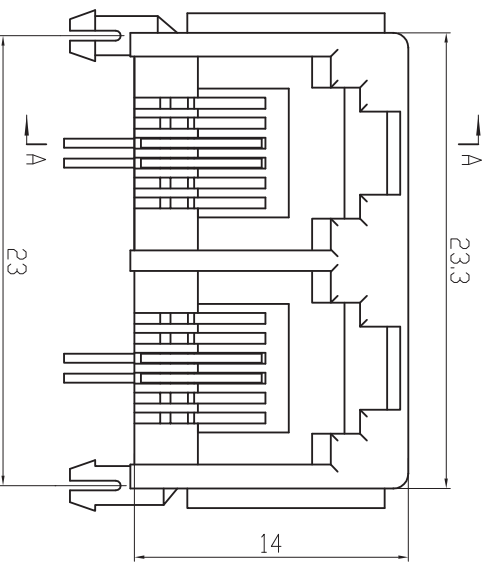
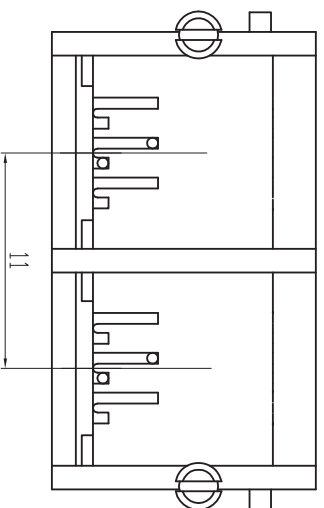
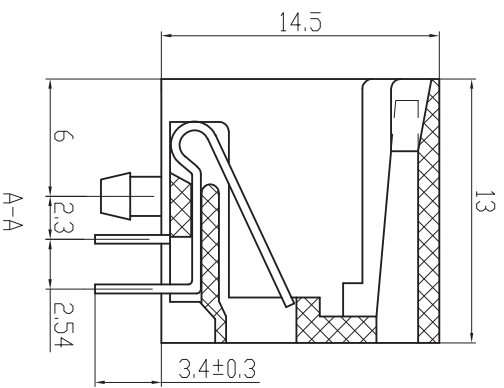


PC Board Layout



PCB JACK Specification

1. Insulation Resistance: 500M Ω MIN @ 500 VDC
2. Withstanding Voltage: AC1000V 50Hz or 60Hz 1min.
3. Durability: 600 Mating Cycles MIN.
4. Gold Plating: (3:6;.15:30:50) u inch
5. Tolerances Unless Otherwise Specified
 .0±0.25 .00±0.20 .000±0.10