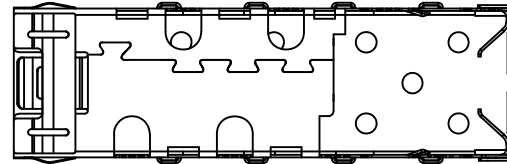
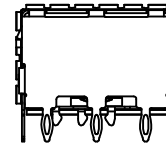
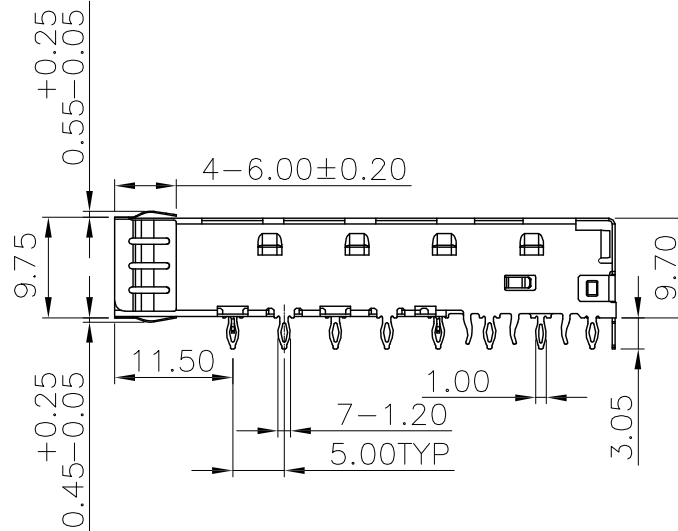
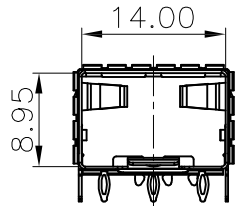
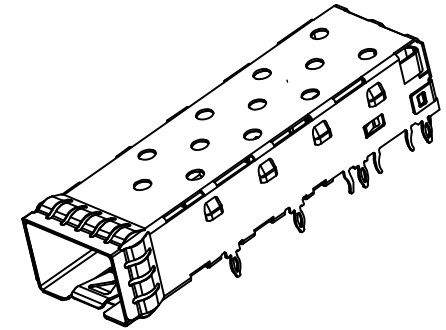
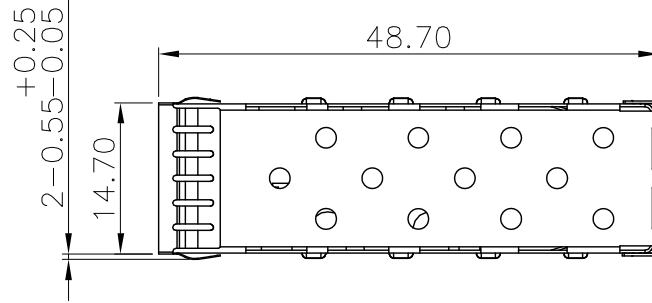


RoHS Compliant

更改 REV	变更内容 MODIFICATION	日期 DATE	制图 DRAW	核准 APPROVE
A	图面发行	2012/10/29	LINYUN	ZHANG

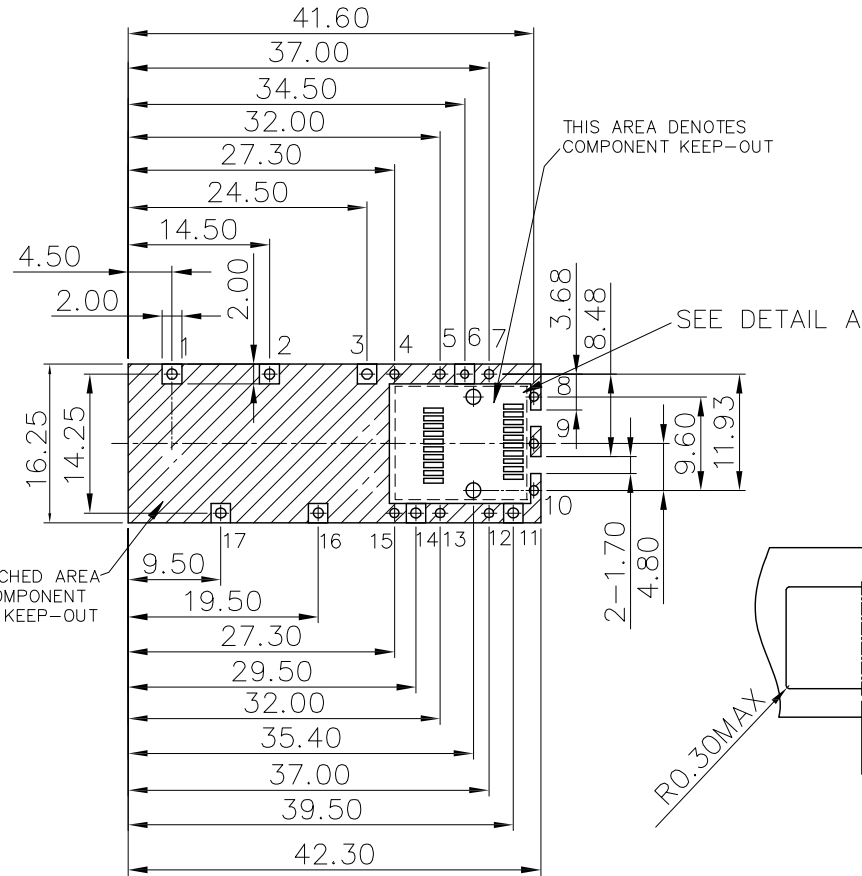


NOTES:
 MECHANICAL:
 CAGES: COPPER ALLOY, THICKNESS 0.25MM.
 PLATING: NO NEED.
 THIS CAGE IS FOR SINGLE SIDE USE ONLY.
 TEMPERATURE:
 OPERATION: -40°C~+85°C
 STORAGE: -40°C~+85°C
 RoHS COMPLIANCE.

HTTPS://WWW.CHNCONN.COM		深圳市创勤电子有限公司 SHENZHEN CHUANGQIN ELECTRONICS CO., LTD.		
◎◎ : Inspection Item ◎◎ : Cp/Cpk and SPC Control Item	DIMENSION IN mm [Inch]		料号 PART NO: CQ047-SFP+1X1-LN-PZ	图号 DWG NO. SFP+1X1-GZ
	TOLERANCE UNLESS OTHERWISE SPECIFIED		名称 TITLE SFP+ CAGE 1X1 PRESS FIT	
	.X± 0.25	X.°± 1°	核准 APPROVE ZHANG	
	.XX± 0.20	.X°± 0.5°	审核 CHECK LIJY	制图 DRAW LINYUN
.XXX± 0.15		制法 PROJ. 比例 SCALE 1:1	图框 SHEET A3	页次 1 / 1 更改 REV A

RoHS Compliant

更改 REV	设计内容 MODIFICATION	日期 DATE	制图 DRAW	核准 APPROVE
A	图面发行	2012/10/29	LINYUN	ZHANG

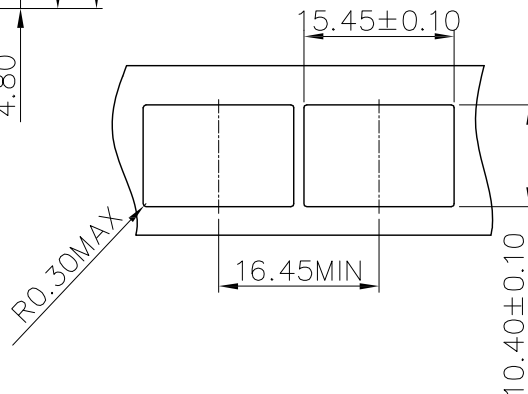


CROSS-HATCHED AREA DENOTES COMPONENT AND TRACE KEEP-OUT

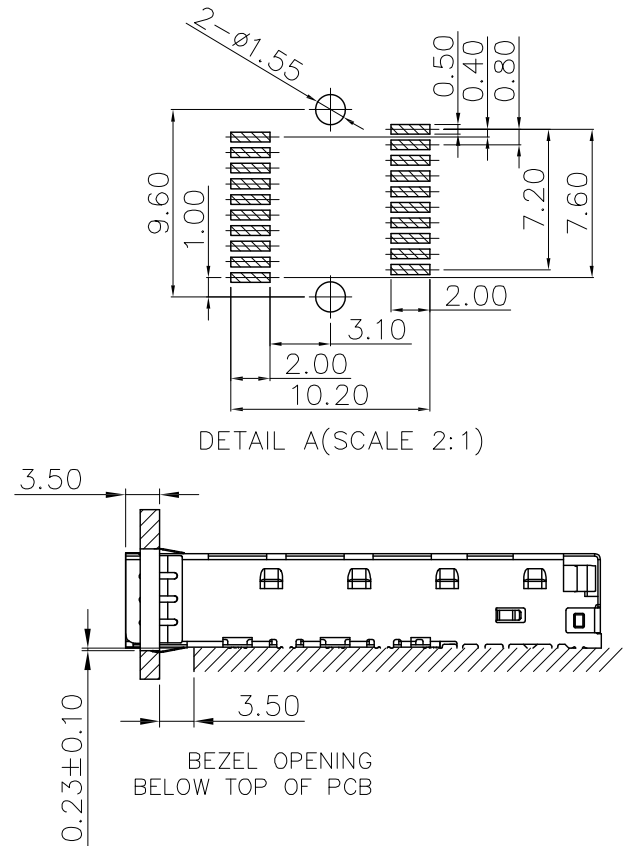
1. RECOMMENDED PCB THICKNESS: 2.36 (TOP VIEW)
(MINIMUM PCB THICKNESS: 1.57)
(ALL TOLERANCES ARE ±0.05)

NOTE:

1,2,3,11,14,16,17#孔直径为1.05mm;
4,5,7,8,9,10,12,13,15#孔直径为0.95mm;
6#孔直径为0.85mm;



RECOMMENDED PANEL CUTOUT AND PC BOARD
PANEL POSITION AND THICKNESS 0.8-2.6



DETAIL A(SCALE 2:1)

BEZEL OPENING
BELOW TOP OF PCB

HTTPS://WWW.CHNCONN.COM		深圳市创勤电子有限公司 SHENZHEN CHUANGQIN ELECTRONICS CO., LTD.		
◎ : Inspection Item ◎ : Cp/Cpk and SPC Control Item	DIMENSION IN mm [Inch]		料号 PART NO:	图号 DWG NO.
	TOLERANCE UNLESS OTHERWISE SPECIFIED		CQ047-SFP+1X1-LN-PZ	SFP+1X1-GZ
	.X± 0.25	X°± 1°	名称 TITLE	
	.XX± 0.20	.X°± 0.5°	SFP+ CAGE 1X1 PRESS FIT	
.XXX± 0.15		核准 APPROVE	审核 CHECK	制图 DRAW
		ZHANG	LIJY	LINYUN
		方法 PROJ.	图例 SCALE	页次 SHEET
		1:1	A3	1 / 2
		更改 REV	A	