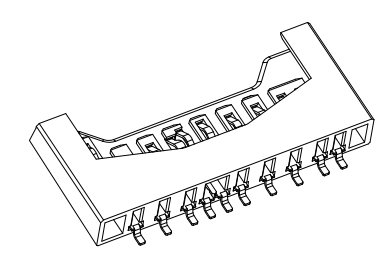
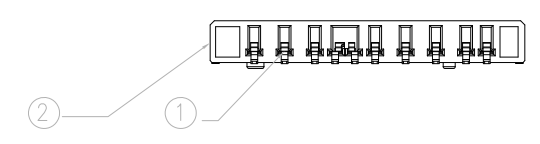
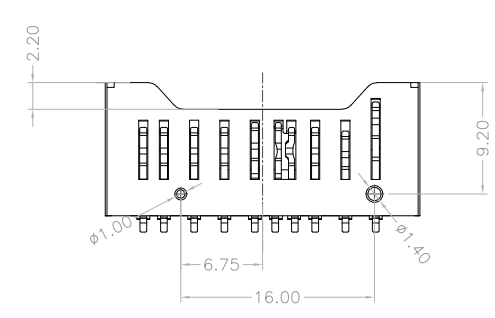
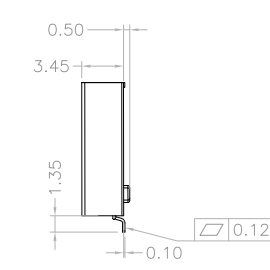
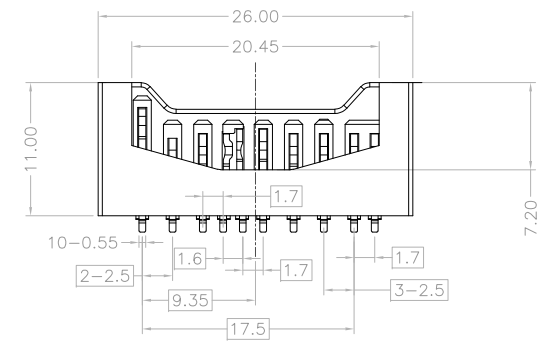
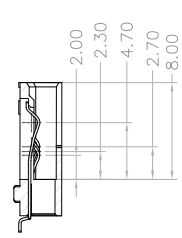


RECOMMENDED PCB LAYOUT(.XX±0.05)
CONNECTOR SIDE(TOP VIEW) FRONT EDGE OF PCB



SPECIFICATION

1. ELECTRICAL CHARACTERISTICS:
 - 1-1. VOLTAGE&CURRENT RATING:DC 30V MAX&1A
 - 1-2. CONTACT RESISTANCE: 40mΩ MAX INITAL.
 - 1-3. INSULATION RESISTANCE: 1000MΩ MIN FOR VOLTAGE 500VDC.
 - 1-4. DIELECTRIC WITHSTAND: 500V AC for 1 MINUTE
 - 1-5. OPERATING TEMPERATURE: -30°C~+85°C
2. MECHANICAL CHARACTERISTICS:
 - 2-1. LIFE TEST :500 CYCLES

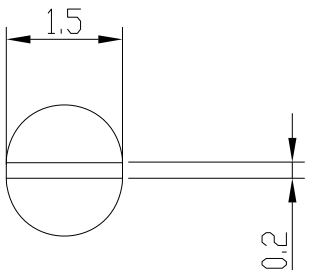
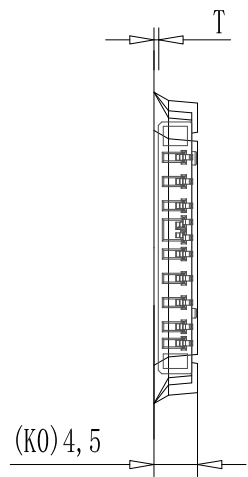
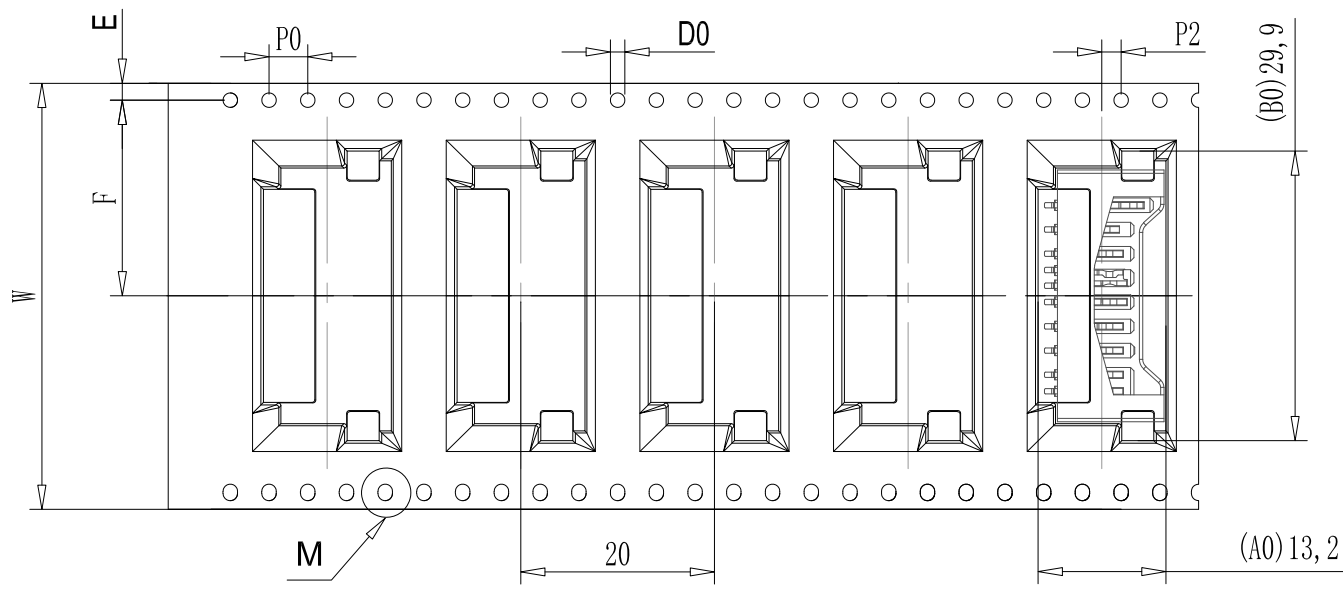
| Item | Title | Material | Dispose | Remark |
|------|----------|--------------|--|--------|
| 1 | Terminal | Copper Alloy | Contact Area: See P/N Solder Area: Au G/F or matte Tin of the surface | T=0.20 |
| 2 | Housing | LCP+30%GF | UL 94V-0 | BLACK |

| | | |
|----------------|------------------------|--|
| UNITS mm | NAME(INTENDED USE) | 深圳市创勤电子有限公司 SHENZHEN CHUANGQIN ELECTRONICS CO.,LTD. |
| MAT'L NONE | PART NO.(INTENDED USE) | |
| FINISH NONE | APPD: ZHANG | TITLE: CQ110-SD0050022 |
| Q'TY NONE | CHKD: LIJY | DWG NO.: |
| DR: LINYUN | | SCALE SHEET REV. 1:1 1/2 A |

| | |
|------------|--------------|
| X.± 0.25 | X.°± 1° |
| .X± 0.15 | .X°± 0.2° |
| .XX± 0.08 | .XX°± 0.05° |
| .XXX± 0.05 | .XXX°± 0.01° |

| | | | | | | | | | | | | | | |
|------|----------------|----------------|----------------|----------------|----------------|----------------|----------------|----------------|----------------|----------------|----------------|----------------|-------|--------|
| ITEM | W | A0 | B0 | K0 | K1 | P | F | E | D | P0 | P2 | T | 13" | |
| DIM | 44.0 | 13.20 | 29.90 | 4.50 | 0.00 | 20.0 | 20.20 | 1.75 | 1.50 | 4.00 | 2.00 | 0.40 | 长度/盘 | 元件/盘 |
| TOLE | +0.30 -0.30 | +0.10 -0.10 | +0.10 -0.10 | +0.10 -0.10 | +0.10 -0.10 | +0.10 -0.10 | +0.10 -0.10 | +0.10 -0.10 | +0.10 -0.00 | +0.10 -0.10 | +0.15 -0.15 | +0.05 -0.05 | 14.0M | 700pcs |

REV. ECN.



M部详图

| | | | | |
|-------------|----------------|------------------------|---|-----------|
| UNITS mm | | NAME(INTENDED USE) | 深圳市创勤电子有限公司 SHENZHEN CHUANGQIN ELECTRONICS CO., LTD. | |
| MAT'L NONE | | PART NO.(INTENDED USE) | TITLE: CQ110-SD0050022 | |
| X. ± 0.25 | X.* ± 1* | APPD: ZHANG | DWG NO.: | |
| .X ± 0.15 | .X.* ± 0.2* | CHKD: LIJY | | |
| .XX ± 0.08 | .XX.* ± 0.05* | DR: LINYUN | | |
| .XXX ± 0.05 | .XXX.* ± 0.01* | | SCALE 1:1 | SHEET 2/2 |
| | | | REV. A | |