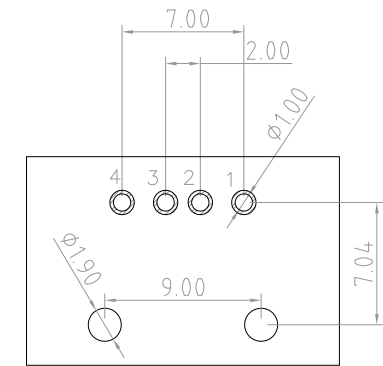
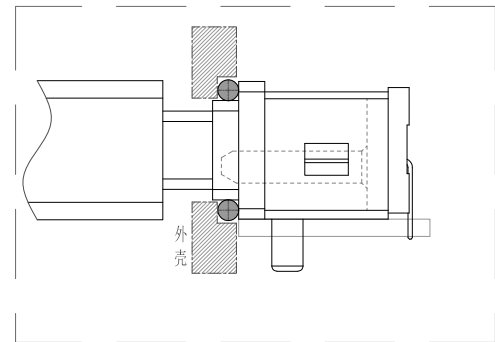
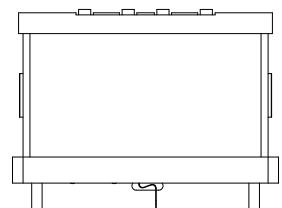


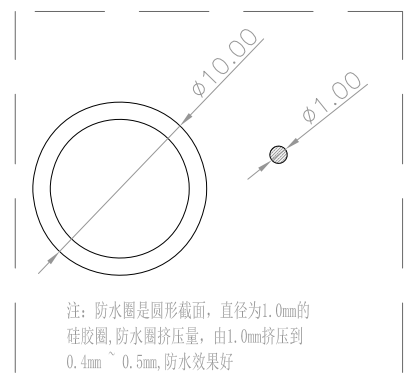
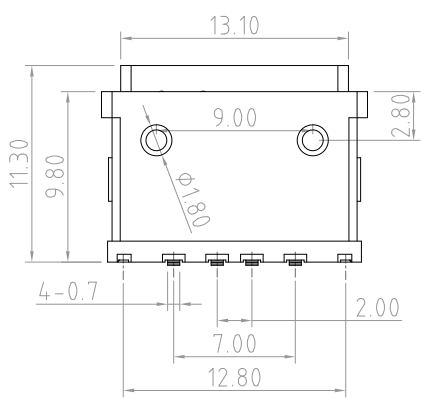
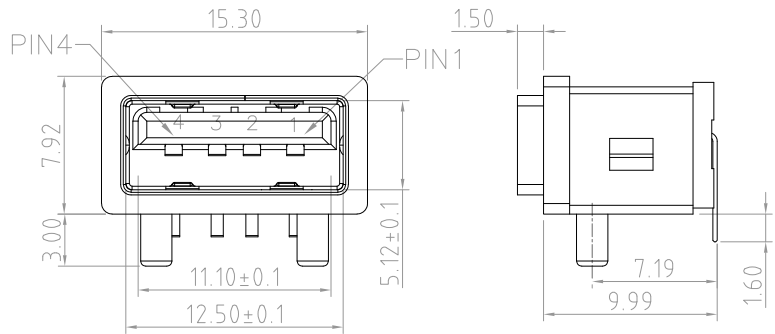
REV.	ECN. NO.	APPD.



RECOMMENDED PCB LAYOUT(TOP VIEW)
 DEFAULT TOLERANCE+/-0.05
 THICKNESS T=1.0mm

PIN ASSIGNMENT

PIN NO.	1	2	3	4
SIGNAL NAME	GND	D+	D-	VBUS



注：防水圈是圆形截面，直径为1.0mm的硅胶圈，防水圈挤压量，由1.0mm挤压到0.4mm~0.5mm，防水效果好

规格书

1. 额定电流 3.0A
2. 耐电压 500VAC
3. 工作温度范围 -30 °C ~ 85 °C
4. 接触阻抗 接触阻抗≤30mΩ
5. 绝缘阻抗 绝缘阻抗≥1000MΩ
6. 插入力 :8N~35N
7. 拔出力 :8N~35N
8. 插拔耐久:1500 CYCLES

3	Shell	1	SUS 301 1/4H	
3	PLASTIC Shell	1	PA9T&LCP (G.F30%)	
2	Contact	4	BRASS C2680-EH Au/Ni Plating T=0.25mm	
1	Housing	1	PA10T (G.F30%)	
ITEM	PART NAME	Q'TY	FINISH	NOTE

X.	±0.50	X.*	±2°	UNITS mm
.X	±0.30	.X.*	±1°	
.XX	±0.10	.XX.*	±0.5°	MAT'L
.XXX	±0.05			
THESE DRAWINGS AND SPECIFICATIONS ARE THE PROPERTY OF CHUANGQIN ELECTRONIC TECHNOLOGY CO.,LTD.AND SHALL NOT BE REPRODUCED, COPIED OR USED IN ANY MANNER WITHOUT THE PRIOR WRITTEN CONSENT OF CHUANGQIN ELECTRONIC TECHNOLOGY CO., LTD				FINISH
				Q'TY

深圳市创勤电子有限公司 SHENZHEN CHUANGQIN ELECTRONICS CO.,LTD.		PART NO.			TITLE: USB 防水带定位柱		
APPD: ZHANG		CHKD: LIJY			DWG NO.: CQ0571-AFFS0409801		
DR: LINYUN 2020/04/13		SCALE			SHEET		REV.
		1/1			1/2		A2