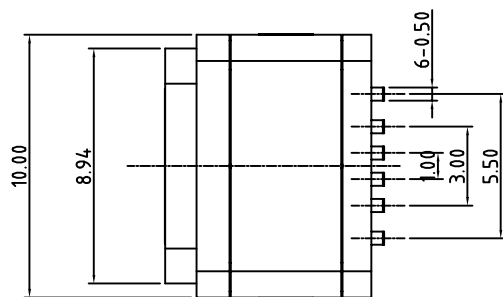
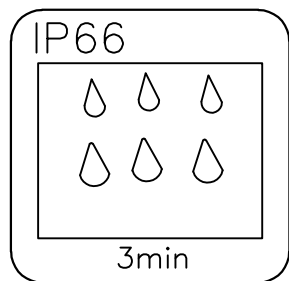
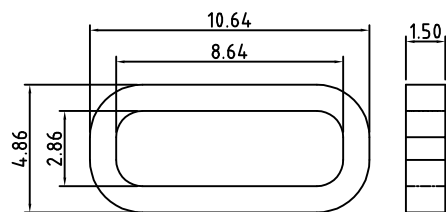
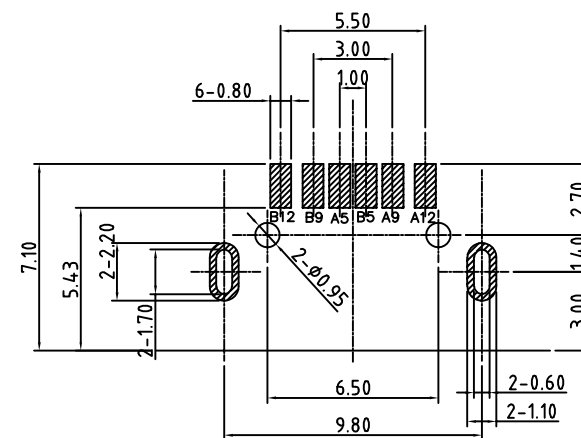
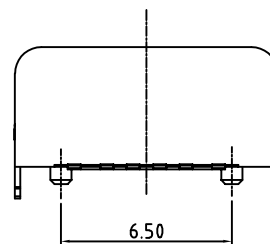
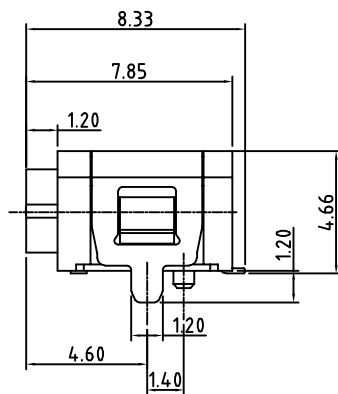
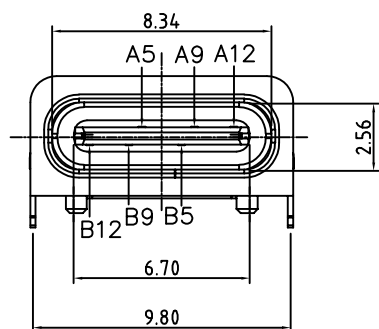


REV.	ECN. NO.	APPD.

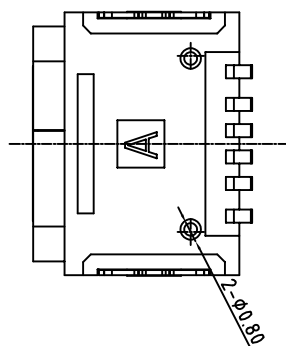


SPECIFICATIONS:

- ELECTRICAL CHARACTERISTICS:
 - RATING: 3A;
 - CONTACT RESISTANCE: 30 mΩ MAX.(INITIAL);
 - DIELECTRIC WITHSTANDING: 100V AC MIN.;
 - INSULATION RESISTANCE: 100MΩ MIN.;
- DURABILITY: 10,000 CYCLES MIN.;
- INSERTION FORCE: 5-20N;
- EXTRACTION FORCE: 6-20N;
- WATER PROOFNESS: THIS PRODUCT IS BASED ON IPX6.
- PLUG INTERFACE DIMENSIONS COMFORM TO USB2.0 SPEC.
- PACKAGING: TAPE & REEL.



建议胶圈尺寸



3	Shell	1	SUS304R-1/2H Ni Plating T=0.25mm
2	Contact	6	Phosphor bronze C5191R-EH Au/Ni Plating T=0.20mm
1	Housing	1	PA10T (G.F30%)

ITEM	PART NAME	Q' TY	FINISH	NOTE
------	-----------	-------	--------	------

UNITS: mm
 深圳市创勤电子有限公司
 SHENZHEN CHUANGQIN ELECTRONICS CO., LTD.

MAT'L: /
 PART NO.:
 TITLE: TYPE-C 6PIN板上两脚插板防水母座

X. ±0.50	X.° ±2°	FINISH: /	APPD: ZHANG	DWG NO.: CQ060-TFFS0683331						
.X ±0.30	.X° ±1°		CHKD: LI JY							
.XX ±0.10	.XX° ±0.5°	Q' TY: /	DR: LIN YUN 2021/01/12	<table border="1"> <tr> <td>SCALE</td> <td>SHEET</td> <td>REV.</td> </tr> <tr> <td>1/1</td> <td>1/1</td> <td>A1</td> </tr> </table>	SCALE	SHEET	REV.	1/1	1/1	A1
SCALE	SHEET		REV.							
1/1	1/1	A1								
.XXX ±0.05										

A5	CC1	B12	GND
A9	VBUS	B9	VBUS
A12	GND	B5	CC2
PIN	SIGNAL NAME	PIN	SIGNAL NAME