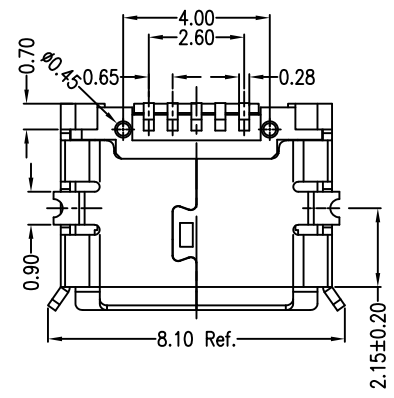
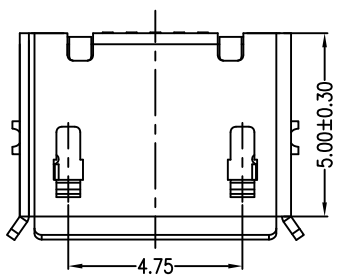
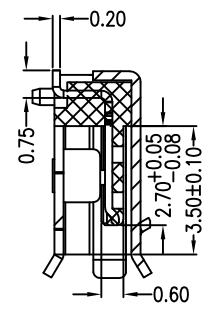
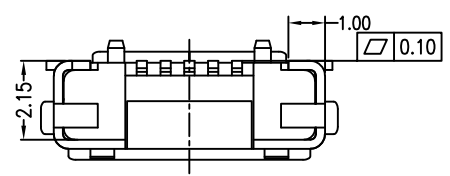


| REV. | ECN NO | LOCATIONS | DESCRIPTION | DATE |
|------|--------|-----------|-------------|------|
| | | | | |

A
B
C
D
E
F

A
B
C
D
E
F



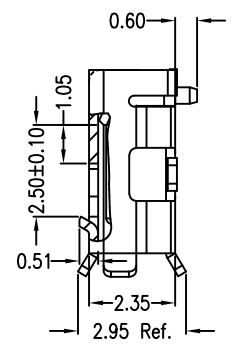
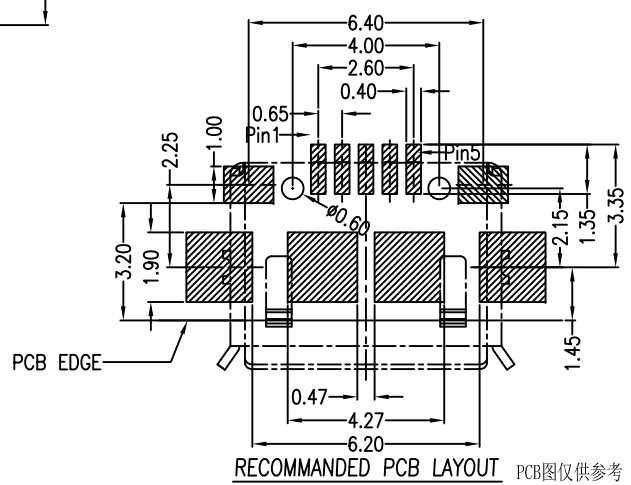
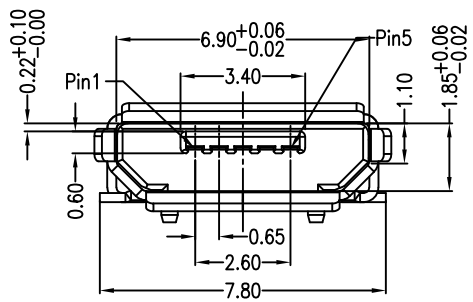
Note:

1.Material:

- 1.1 Housing: High temperature thermoplastic with g.f,UL94v-0
- 1.2 Contact: copper alloy,t=0.20mm
- 1.3 Shell: copper or sus304,t=0.25mm

2.Specification:

- 2.1 Current rating:1,5PIN 1.8A Max/2,3,4PIN 1A Max.
- 2.2 Dielectric withstanding voltage: 100 V(ac) for 1 min.
- 2.3 Contact resistance: 30 mΩ Max.
- 2.4 Insulation resistance: 100 MΩ Min.
- 2.5 Total mating force: 3.57 Kgf Max.
- 2.6 Total unmating force: 1.0 Kgf Min
- 2.7 Temperature range: -30°C~80°C



| | | | | |
|-----------------------|----------|--------------------|---|--|
| PART NO: | | MATERIAL: SEE NOTE | 深圳市创勤电子有限公司 SHENZHEN CHUANGQIN ELECTRONICS CO., LTD. | |
| MODEL NO: XX | | FINISH: SEE NOTE | TITLE: Micro 5P 两脚全贴有边有柱 | |
| UNIT: MM | SIZE: A4 | COLOR: SEE NOTE | DWG NO: CQ067-MFQT0500011 | |
| TOLERANCE UNSPECIFIED | | DR: LINYUN | REV: A | |
| .x ±0.15 | | CHK: LJY | SCALE: 5:1 | |
| .xx ±0.10 | | APP: ZHANG | DATE: 2012.05.21 | |
| .xxx ±0.05 | | | | |
| Ang ±1° | | | | |

1 2 3 4 5 6 7 8