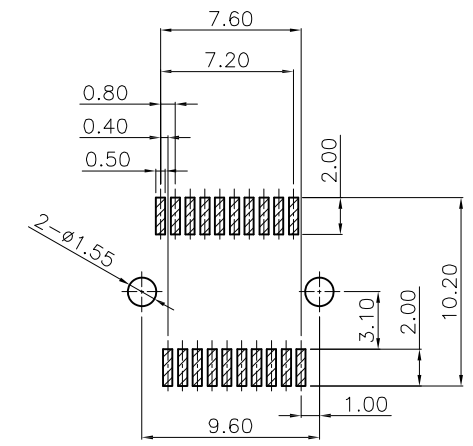
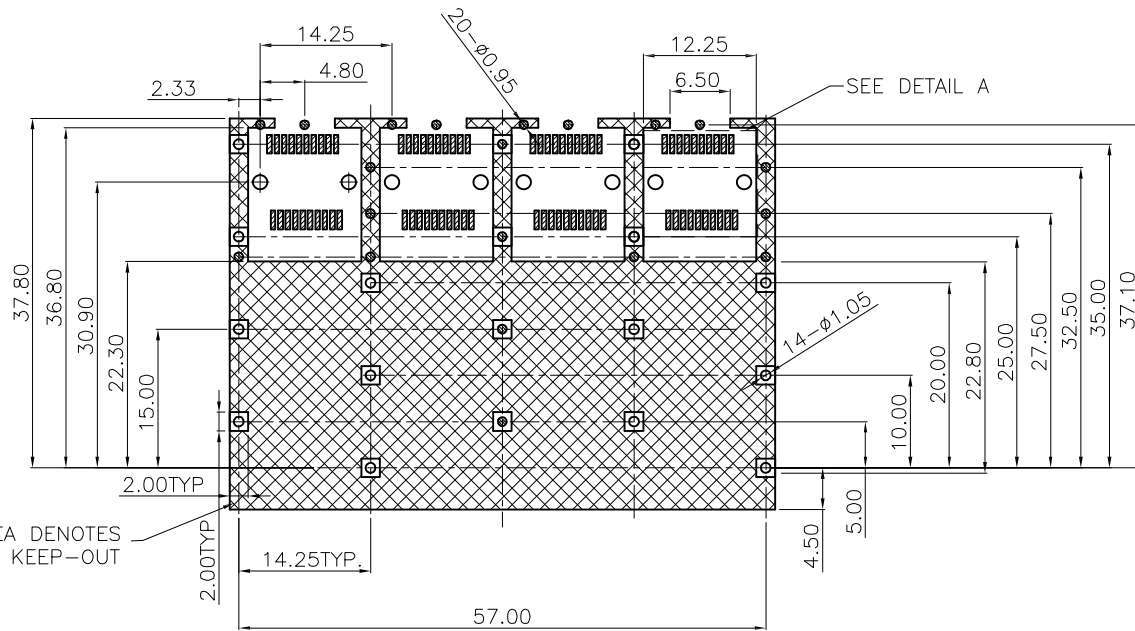


RoHS Compliant

更改 REV	设计内容 MODIFICATION	日期 DATE	制图 DRAW	核准 APPROVE
A	图面发行	2012/10/29	LINYUN	ZHANG



CROSS-HATCHED AREA DENOTES COMPONENT AND TRACE KEEP-OUT

RECOMMENDED PCB LAYOUT (COMPONENT SIDE)

RECOMMENDED MINIMUM PCB THICKNESS: 1.50mm
(ALL TOLERANCES ARE ±0.05)

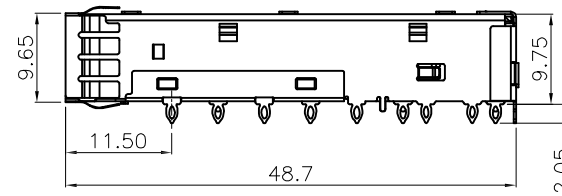
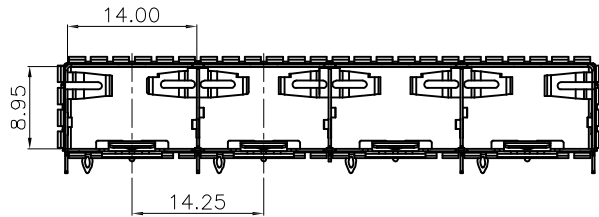
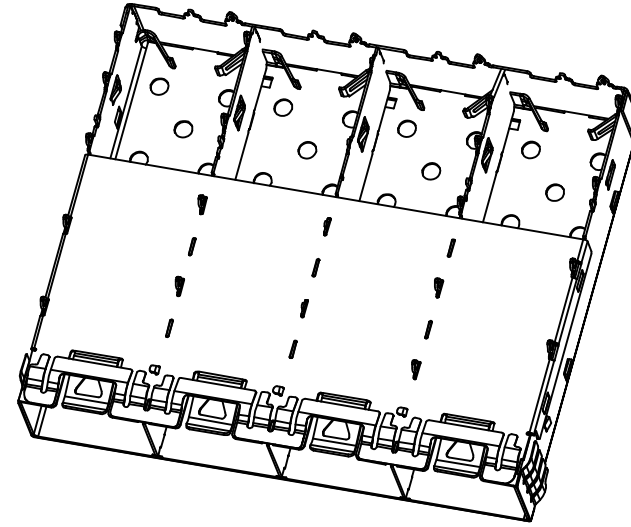
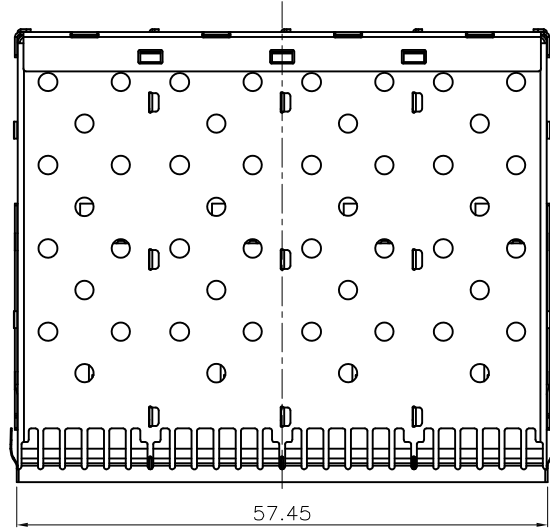
"□ □ •" 圆孔均为通孔

RECOMMENDED PCB CONFIGURATION WITH KEEP-OUT AREAS SINGLE SIDED APPLICATIONS

HTTPS://WWW.CHNCONN.COM		深圳市创勤电子有限公司 SHENZHEN CHUANGQIN ELECTRONICS CO., LTD.		
Inspection Item Cp/Cpk and SPC Control Item (Cp)	DIMENSION IN mm [Inch]		料号 PART NO: CQ047-SFP+1X4-L0-P	图号 DWG NO. SFP+1X4-GZP
	TOLERANCE UNLESS OTHERWISE SPECIFIED		标题 TITLE SFP+ CAGE 1X4 PRESS FIT	
	.X ± 0.25	X° ± 1°	核准 APPROVE ZHANG	
	.XX ± 0.20	.X° ± 0.5°	审核 CHECK LIJY	
.XXX ± 0.15		制图 DRAW LINYUN	画法 PROJ. 比例 SCALE 1:1	张数 SHEET 1 / 3 更改 REV A

RoHS Compliant

更改 REV	设计内容 MODIFICATION	日期 DATE	制图 DRAW	核准 APPROVE
A	图面发行	2012/10/29	LINYUN	ZHANG

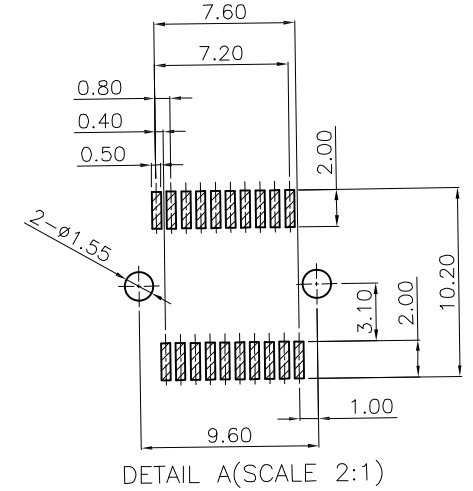
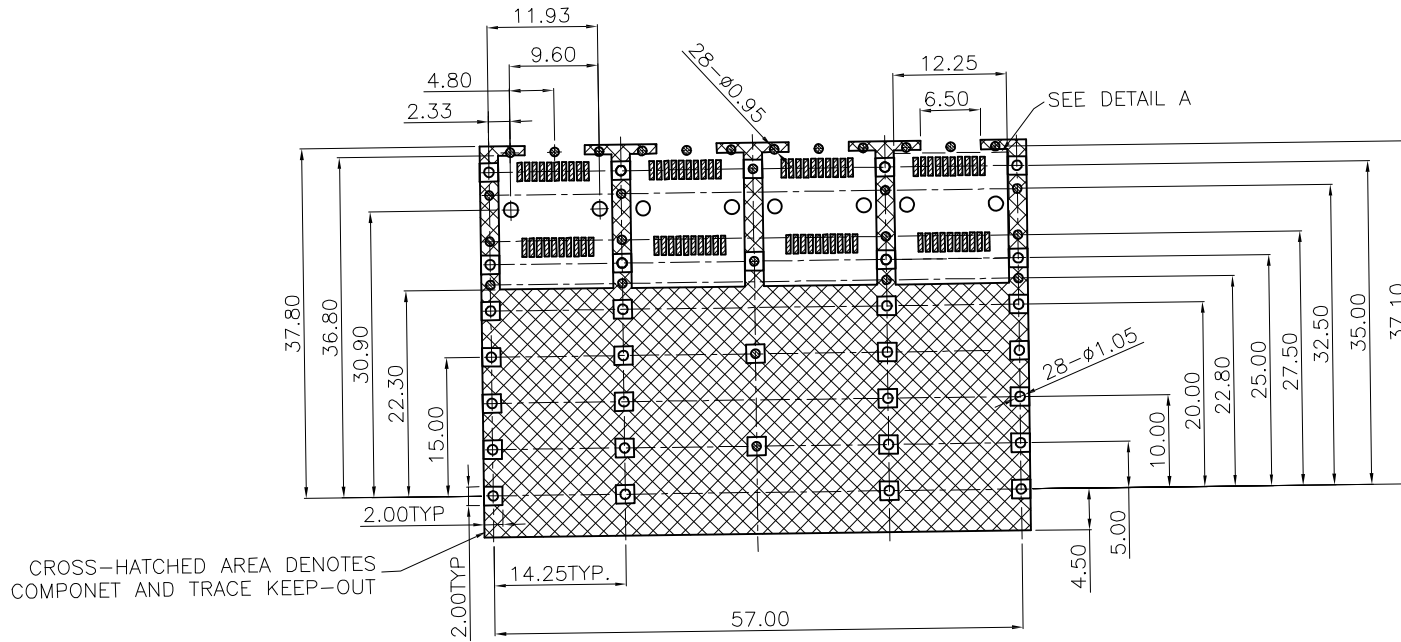


NOTES:
 MECHANICAL:
 CAGES: COPPER ALLOY, THICKNESS 0.25MM.
 PLATING: NO NEED.
 THIS CAGE IS FOR SINGLE SIDE USE ONLY.
 TEMPERATURE:
 OPERATION: -40°C~+85°C
 STORAGE: -40°C~+85°C
 RoHS COMPLIANCE.

HTTPS://WWW.CHNCONN.COM		深圳市创勤电子有限公司 SHENZHEN CHUANGQIN ELECTRONICS CO., LTD.		
Inspection Item Cp/Cpk and SPC Control Item (Cp)	DIMENSION IN mm [Inch]		料号 PART NO: CQ047-SFP+1X4-L0-P	图号 DWG NO. SFP+1X4-GZP
	TOLERANCE UNLESS OTHERWISE SPECIFIED			
	.X± 0.25	X.°± 1°		
	.XX± 0.20	.X°± 0.5°		
.XXX± 0.15		名称 TITLE SFP+ CAGE 1X4 PRESS FIT		
核准 APPROVE ZHANG		审核 CHECK LIJY		制图 DRAW LINYUN
		角法 PROJ. 比例 SCALE 1:1		图框 SHEET 1 / 1 更改 REV A

RoHS Compliant

更改 REV	设计内容 MODIFICATION	日期 DATE	制图 DRAW	核准 APPROVE
A	图面发行	2012/10/29	LINYUN	ZHANG



RECOMMENDED PCB LAYOUT (COMPONENT SIDE)

RECOMMENDED MINIMUM PCB THICKNESS: 2.25mm
(ALL TOLERANCES ARE ±0.05)

"□ □ •" 圆孔均为通孔

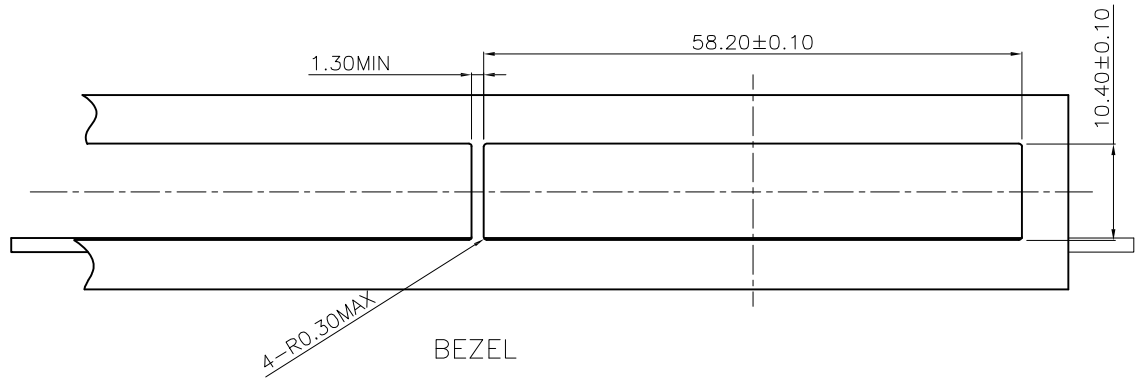
RECOMMENDED PCB CONFIGURATION WITH
KEEP-OUT AREAS BELLY TO BELLY APPLICATIONS

HTTPS://WWW.CHNCONN.COM		深圳市创勤电子有限公司 SHENZHEN CHUANGQIN ELECTRONICS CO., LTD.		
Inspection Item Cp/Cpk and SPC Control Item	DIMENSION IN mm [Inch]		料号 PART NO: CQ047-SFP+1X4-L0-P	
	TOLERANCE UNLESS OTHERWISE SPECIFIED		图号 DWG NO. SFP+1X4-GZP	
	.X± 0.25	X.°± 1°	名称 TITLE SFP+ CAGE 1X4 PRESS FIT	
	.XX± 0.20	.X°± 0.5°	核准 APPROVE ZHANG	
.XXX± 0.15		审核 CHECK LIJY	制图 DRAW LINYUN	
		角法 PROJ. 比例 SCALE 1:1	图框 SHEET A3 张数 1 / 4 更改 REV A	

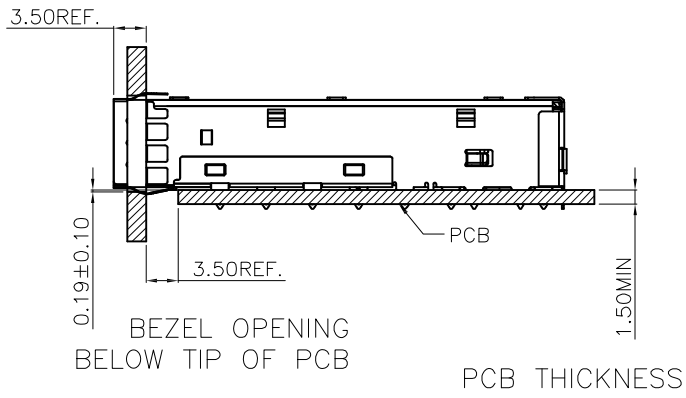
RoHS Compliant

更改 REV	设计内容 MODIFICATION	日期 DATE	制图 DRAW	核准 APPROVE
A	图面发行	2012/10/29	LINYUN	ZHANG

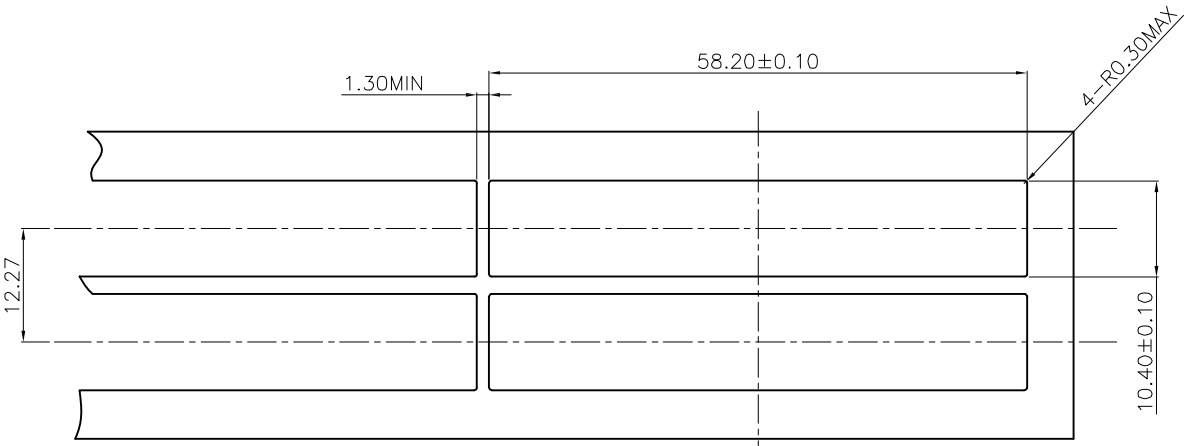
F
E
D
C
B
A



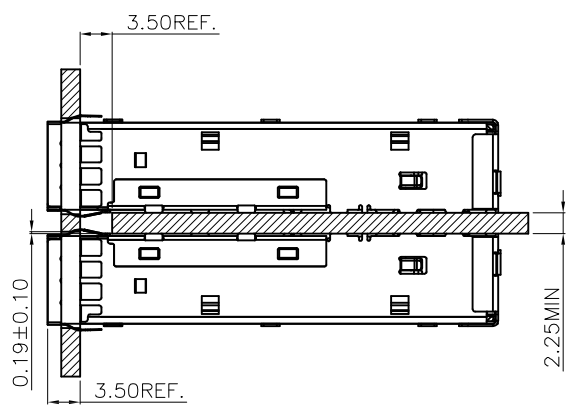
RECOMMENDED PANEL CUTOUT AND PC BOARD
 PANEL POSITION AND THICKNESS 0.8-2.6



BEZEL OPENING
 BELOW TIP OF PCB
 PCB THICKNESS



RECOMMENDED PANEL CUTOUT AND PC BOARD
 PANEL POSITION AND THICKNESS 0.8-2.6



BEZEL OPENING
 BELOW TOP OF PCB
 PCB THICKNESS

HTTPS://WWW.CHNCONN.COM DIMENSION IN mm [Inch]		深圳市创勤电子有限公司 SHENZHEN CHUANGQIN ELECTRONICS CO., LTD.	
TOLERANCE UNLESS OTHERWISE SPECIFIED .X± 0.25 X.°± 1° .XX± 0.20 .X.°± 0.5° .XXX± 0.15		料号 PART NO: CQ047-SFP+1X4-L0-P	图号 DWG NO. SFP+1X4-GZP
核准 APPROVE ZHANG		审核 CHECK LIJY	
制图 DRAW LINYUN		画法 PROJ. 比例 SCALE 1:1	图框 SHEET 1 / 2 更改 REV A
名称 TITLE SFP+ CAGE 1X4 PRESS FIT		图框 SIZE A3	

1 2 3 4 5 6 7 8