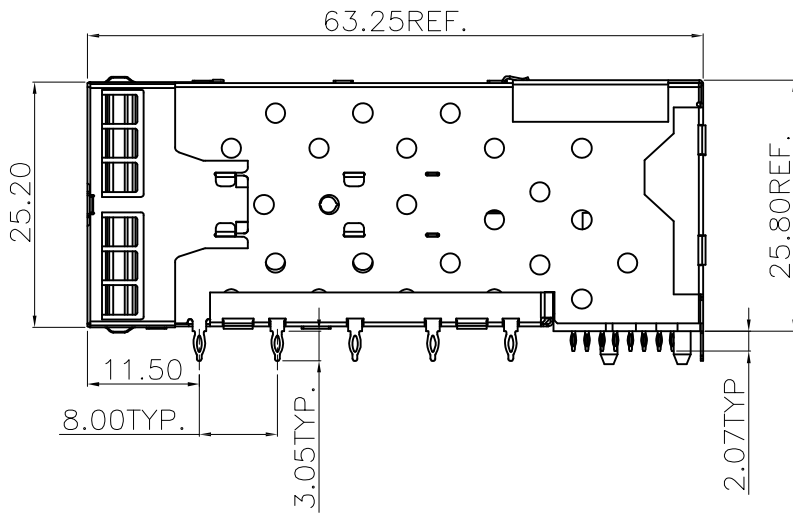
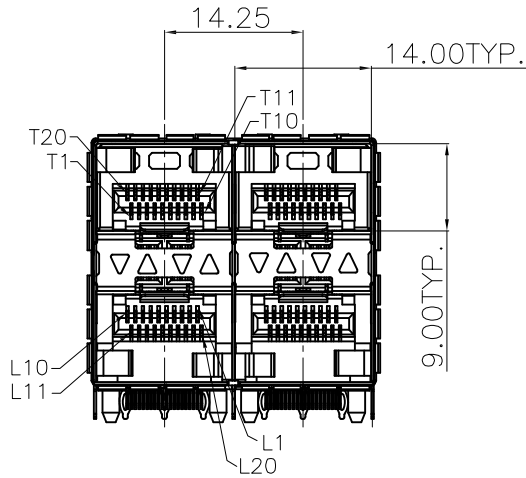


RoHS Compliant

更改 REV	变更内容 MODIFICATION	日期 DATE	制图 DRAW	核准 APPROVE
A	图面发行	2012/10/29	LINYUN	ZHANG

F
E
D
C
B
A



NOTE:

MATERIAL:

- CONTACT: PHOSPHOR BRONZE T=0.20mm.
- CONNECTOR HOUSING: HIGH TEMPERATURE PLASTIC UL 94V-0. COLOR: BLACK.
- MOULDED INSERT: HIGH TEMPERATURE PLASTIC UL 94V-0. COLOR:BLACK.
- CAGE: COPPER ALLOY T=0.25mm.
- LIGHT PIPES: POLYCARBONATE. UL 94V-0. COLOR:CLEAR
- LIGHT PIPE HOUSING: PBT+30%.G.F UL 94V-0 COLOR:BLACK.
- EMI CLIP: COPPER ALLOY.

PLATED:

- CONTACT AREA : PLATING GOLD(SEE TABLE) MINIMUM OVER 1.25~2.54 MICROMETERS NICKEL.
- CONTACT NEEDLE EYE: 2.54~5.08 MICROMETERS MATTE TIN OVER 1.25~2.54 MICROMETERS NICKEL.
- EMI CLIP: 2.54~5.08 MICROMETERS TIN OVER 0.76~2.54 MICROMETERS NICKEL.

MECHANICAL REQUIREMENT:

- DURABILITY: 100 CYCLES MINIMUM.
- INSERTION AND EXTRACTION FORCE: 40N MAXIMUM & 11.5N MAXIMUM

ENVIRONMENTAL:

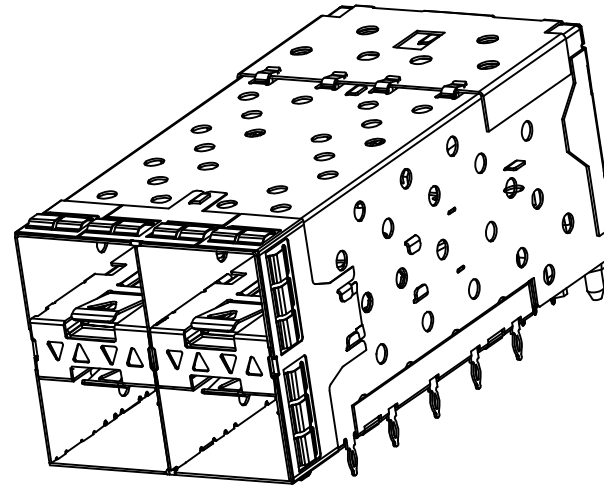
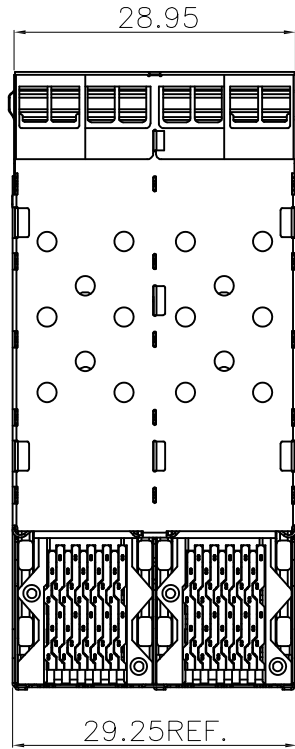
- LOW LEVEL CONTACT RESISTANCE(LLCR):
D R 10 MILLIOHMS MAXIMUM FOR SHIELD AND SIGNAL CONTACTS.
- WITHSTANDING VOLTAGE: 300V AC/MAXIMUM.
- INSULATION RESISTANCE: 1×10^9 OHMS MINIMUM.
- RATINGS CURRENT: 0.5 Amps MAXIMUM.
- RATINGS VOLTAGE: 120 volts AC.
- OPERATION: $-40^{\circ}\text{C} \sim +85^{\circ}\text{C}$.
- STORAGE: $-55^{\circ}\text{C} \sim +105^{\circ}\text{C}$.
- ROHS COMPLIANT

HTTPS://WWW.CHNCONN.COM		深圳市创勤电子有限公司 SHENZHEN CHUANGQIN ELECTRONICS CO.,LTD.		
◎◎ : Inspection Item ◎P/ : Cp/Cpk and SPC Control Item ◎P	DIMENSION IN mm [Inch]		料号 PART NO: CQ047-SFP+2X2-L41-P	图号 DWG NO.SFP+2X2-L41-GZ
	TOLERANCE UNLESS OTHERWISE SPECIFIED		名称 TITLE SFP+ CAGE 2X2 PRESS FIT WITH LIGHTPIPE	
	.X± 0.25	X°± 1°		
	.XX± 0.20	.X°± 0.5°		
.XXX± 0.15				
核准 APPROVE ZHANG	审核 CHECK LIJY	制图 DRAW LINYUN	画法 PROJ. SCALE 1:1	图框 SHEET A3 A
			图框 SIZE A3	页次 SHEET 1 / 1 更改 REV A

1 2 3 4 5 6 7 8

RoHS Compliant

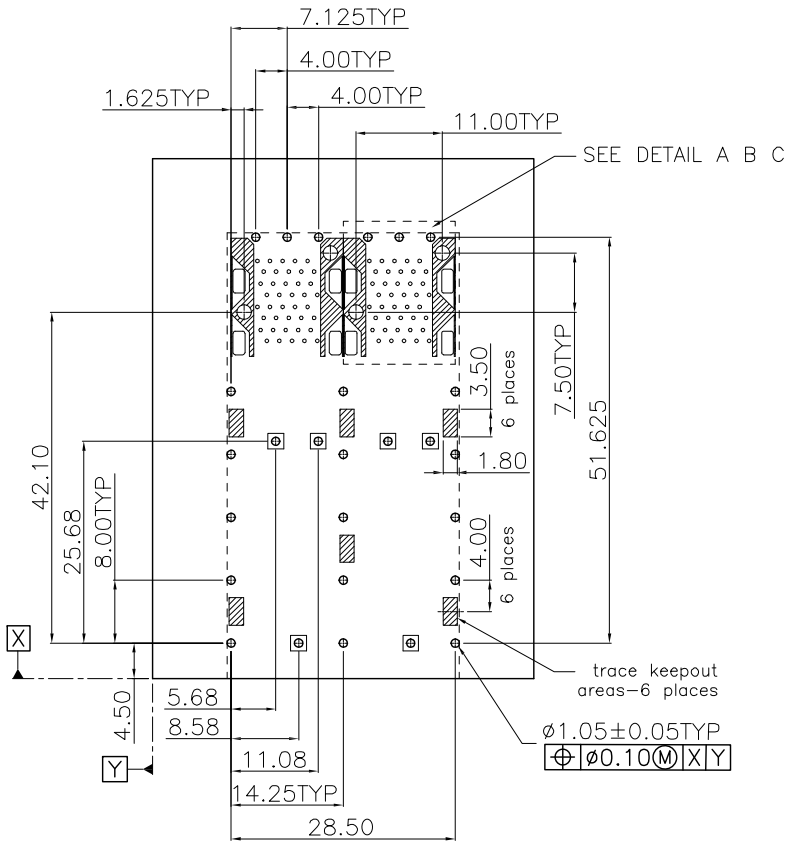
更改 REV	设计内容 MODIFICATION	日期 DATE	制图 DRAW	核准 APPROVE
A	图面发行	2012/10/29	LINYUN	ZHANG



HTTPS://WWW.CHNCONN.COM		深圳市创勤电子有限公司 SHENZHEN CHUANGQIN ELECTRONICS CO., LTD.	
◎ : Inspection Item ◎ : Cp/Cpk and SPC Control Item	DIMENSION IN mm [Inch]		料号 PART NO. CQ047-SFP+2X2-L41-P
	TOLERANCE UNLESS OTHERWISE SPECIFIED		图号 DWG NO. SFP+2X2-L41-GZ
	.X±0.25	X.°± 1°	名称 TITLE SFP+ CAGE 2X2 PRESS FIT WITH LIGHTPIPE
	.XX±0.20	.X°± 0.5°	
.XXX±0.15		制图 DRAW LINYUN	角法 PROJ. 比例 SCALE 1:1
核准 APPROVE ZHANG	审核 CHECK LIJY	图号 SHEET A3	页次 SHEET 1 / 2 更改 REV A

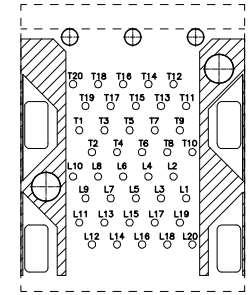
RoHS Compliant

更改 REV	设计内容 MODIFICATION	日期 DATE	制图 DRAW	核准 APPROVE
A	图面发行	2012/10/29	LINYUN	ZHANG

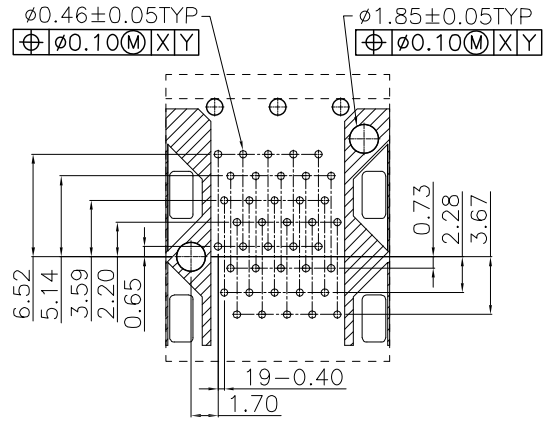


RECOMMENDED PCB LAYOUT (COMPONENT SIDE)
PCB TOLERANCE ±0.05

1. RECOMMENDED PCB THICKNESS:2.36
(MINIMUM PCB THICKNESS:1.57)
2. 考虑客户使用兼容性器件,⊕处孔位,建议PCB LAYOUT图有设计,但我司此规格器件处无对应引脚。



DETAIL A
SCALE 2:1

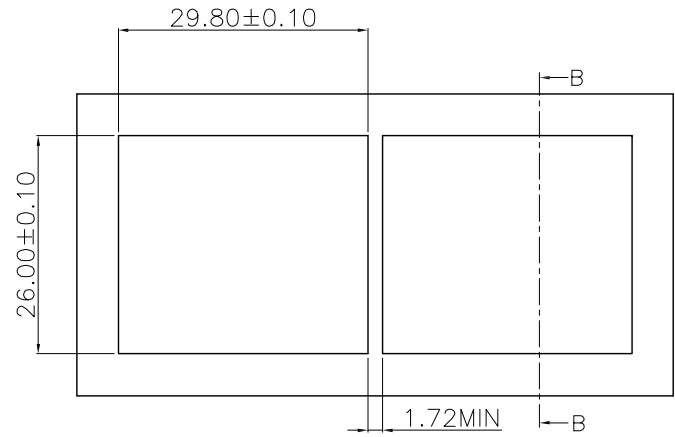


DETAIL B
SCALE 2:1

HTTPS://WWW.CHNCONN.COM		深圳市创勤电子有限公司 SHENZHEN CHUANGQIN ELECTRONICS CO.,LTD.	
◎◎ : Inspection Item ◎P : Cp/Cpk and SPC Control Item	DIMENSION IN mm [Inch]		料号 PART NO. CQ047-SFP+2X2-L41-P
	TOLERANCE UNLESS OTHERWISE SPECIFIED		图号 DWG NO. SFP+2X2-L41-GZ
	.X±0.25	X.°± 1°	名称 TITLE SFP+ CAGE 2X2 PRESS FIT WITH LIGHTPIPE
	.XX±0.20	.X°± 0.5°	
.XXX±0.15		制图 DRAW LINYUN	画法 PROJ. 比例 SCALE 1:1
核准 APPROVE ZHANG	审核 CHECK LIJY	图框 SHEET A3	页次 SHEET 1 / 3 更改 REV A

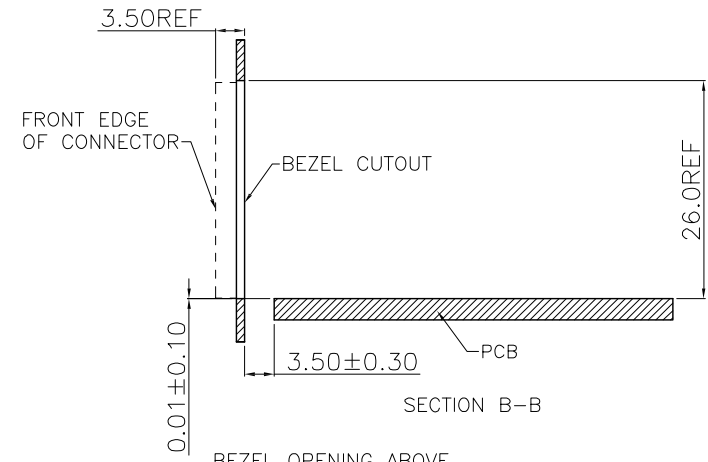
RoHS Compliant

更改 REV	设计内容 MODIFICATION	日期 DATE	制图 DRAW	核准 APPROVE
A	图面发行	2012/10/29	LINYUN	ZHANG



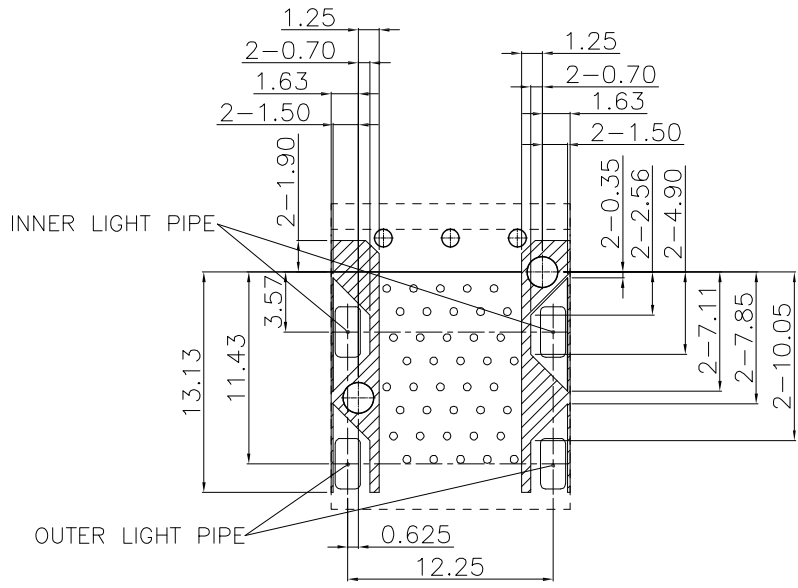
BEZEL

RECOMMENDED PANEL CUTOUT AND PC BOARD
PANEL POSITION AND THICKNESS 0.8-2.6

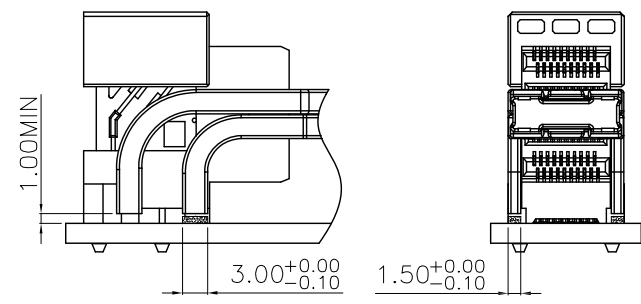


SECTION B-B

BEZEL OPENING ABOVE
TOP OF PC BOARD



DETAIL C
SCALE 2:1



LED CLEARANCE REQUIREMENTS

◎◎ : Inspection Item ◎P : Cp/Cpk and SPC Control Item	HTTPS://WWW.CHNCONN.COM		深圳市创勤电子有限公司 SHENZHEN CHUANGQIN ELECTRONICS CO., LTD.	
	DIMENSION IN mm [Inch]		料号 PART NO: CQ047-SFP+2X2-L41-P	图号 DWG NO. SFP+2X2-L41-GZ
	TOLERANCE UNLESS OTHERWISE SPECIFIED		名称 TITLE SFP+ CAGE 2X2 PRESS FIT WITH LIGHTPIPE	
	.X±0.25	X.°± 1°	制图 DRAW LINYUN	
	.XX±0.20	.X°± 0.5°	审核 CHECK LIJY	
.XXX±0.15		制图 DRAW LINYUN	角法 PROJ. 比例 SCALE 1:1	图框 SHEET A3
核准 APPROVE ZHANG	审核 CHECK LIJY	图号 DRAW LINYUN	图框 SHEET A3	页次 REV 1 / 4 A