

**ELECTRICAL SPECIFICATIONS @ 25°C+/-5°C unless otherwise noted:**

**Insertion Loss: 1-100MHZ -1.0dB MAX**

**Return Loss: 1-30MHZ -16.0dB MIN**

**30-60MHZ -14.0dB MIN**

**60-80MHZ -10.0dB MIN**

**Cross Talk: 1-30MHZ -40.0dB MIN**

**30-60MHZ -35.0dB MIN**

**60-80MHZ -30.0dB MIN**

**CMR: 1-100MHZ -35.0dB MIN**

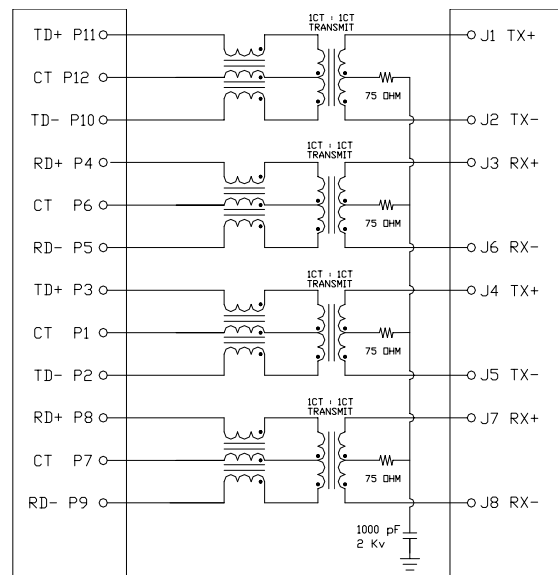
**Hi-Pot: 1500v AC 6S 1mA**

**OCL:350uH MIN @ 100KHZ 100mV 8mA DC**

**Contacts: 0.35mm thick phos bronze plated with 6u' gold in contact are:**

**Operating temperature range:0°C to +70°C**

**USB Module copmplies with USB 2.0 standard**



**Turn Ratio: 1CT:1CT+/-3%**

**Housing Material: PBT Black**



深圳市创勤科技有限公司  
SHENZHEN CHUANGQIN TECHNOLOGY CO., LTD.

Drafted by CZ Lin

**UNIT: mm**

**.xx +/-0.25 .xxx +/-0.13**

**1000BASE w/1 USB  
1X1Tab-Up RJ45**

**Approved By : Herman Au**

**P/N:HRJ-CQ1Q281u2303UNL**

Sheet 1 of 1

REV.  
A