

SUGGESTED PCB LAYOUT  
(TOP VIEW)

### ELECTRICAL SPECIFICATIONS @ 25°C +/- 5°C unless otherwise noted:

**Insertion Loss:** 1-100MHZ -1.0dB MAX

**Return Loss:** 1-30MHZ -16.0dB MIN  
30-60MHZ -14.0dB MIN  
60-80MHZ -10.0dB MIN

**Cross Talk:** 1-30MHZ -40.0dB MIN  
30-60MHZ -35.0dB MIN  
60-80MHZ -30.0dB MIN

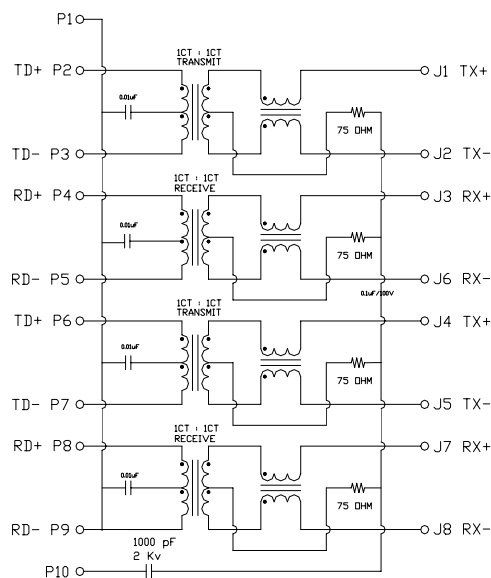
**CMR:** 1-100MHZ -35.0dB MIN

**Hi-Pot:** 1500v AC 6S 1mA

**OCL:** 350uH MIN @ 100KHZ 100mV 8mA DC

**Contacts:** 0.35mm thick phos bronze plated with 6u' gold in contact area

**Operating temperature range:** 0°C to +70°C



**Turn Ratio:** 1CT:1CT +/- 3%

**Housing Material:** PBT Black



深圳市创勤科技有限公司  
SHENZHEN CHUANGQIN TECHNOLOGY CO., LTD.

Drafted by CZ Lin

UNIT: mm

.xx +/-0.25 .xxx +/-0.13

1000BASE  
1X1Tab-Down RJ45

Approved By : Herman Au

P/N:HRJA-F01J01B935NL

Sheet 1 of 1

REV.  
A