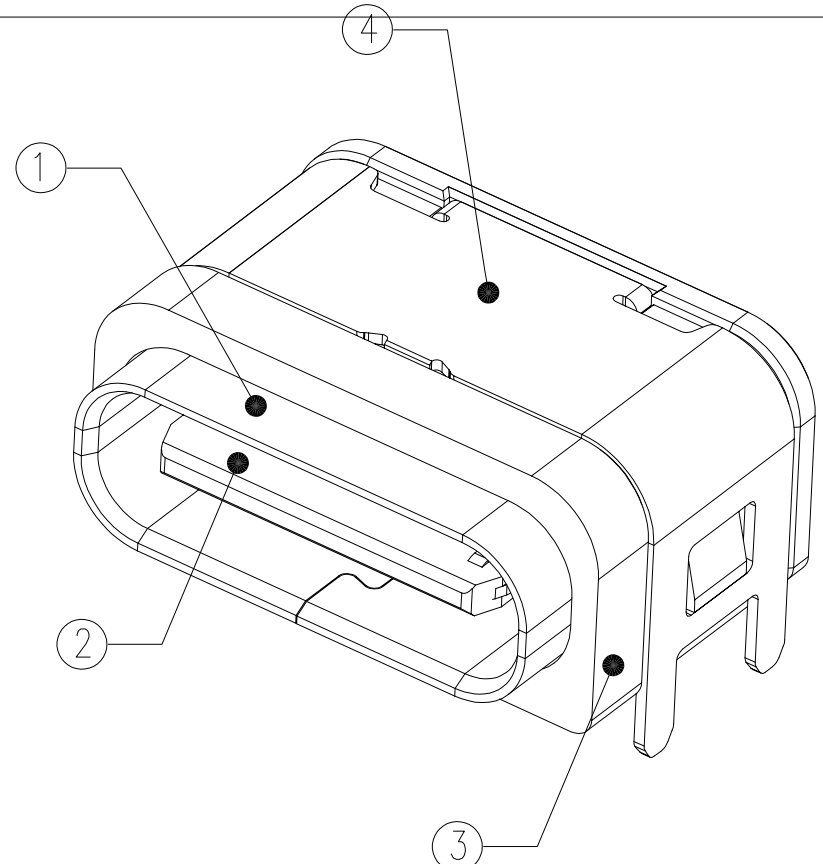
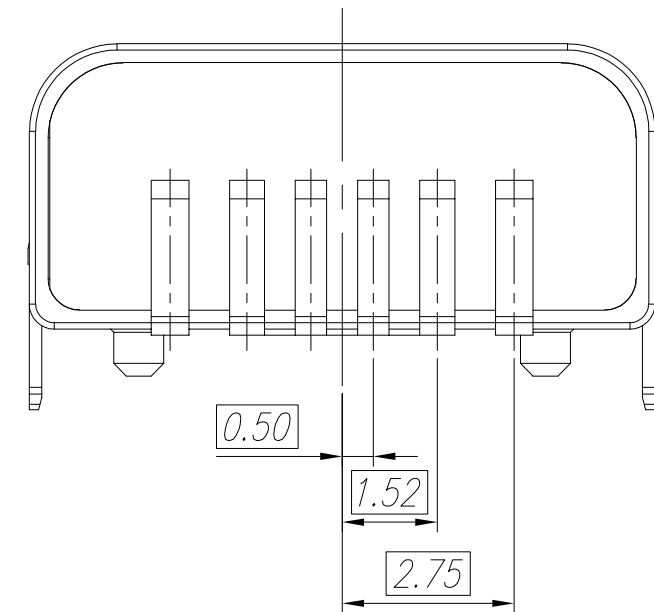
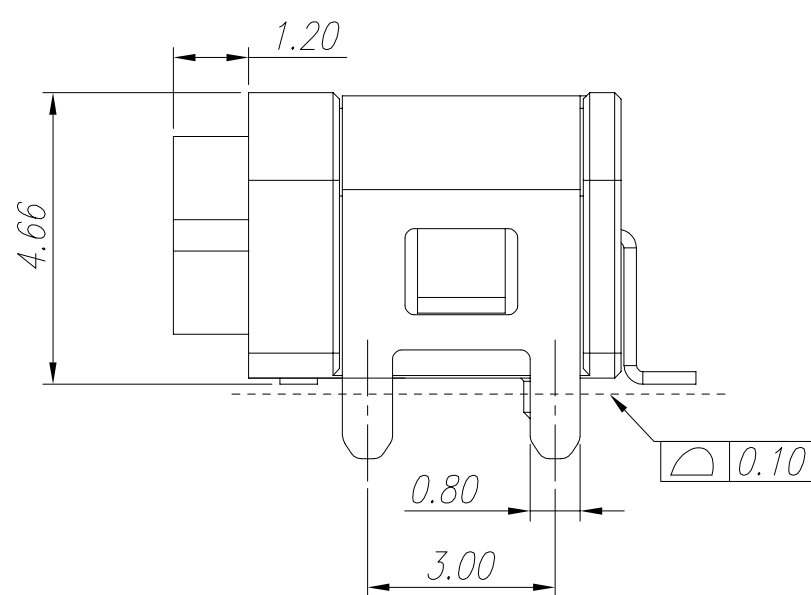
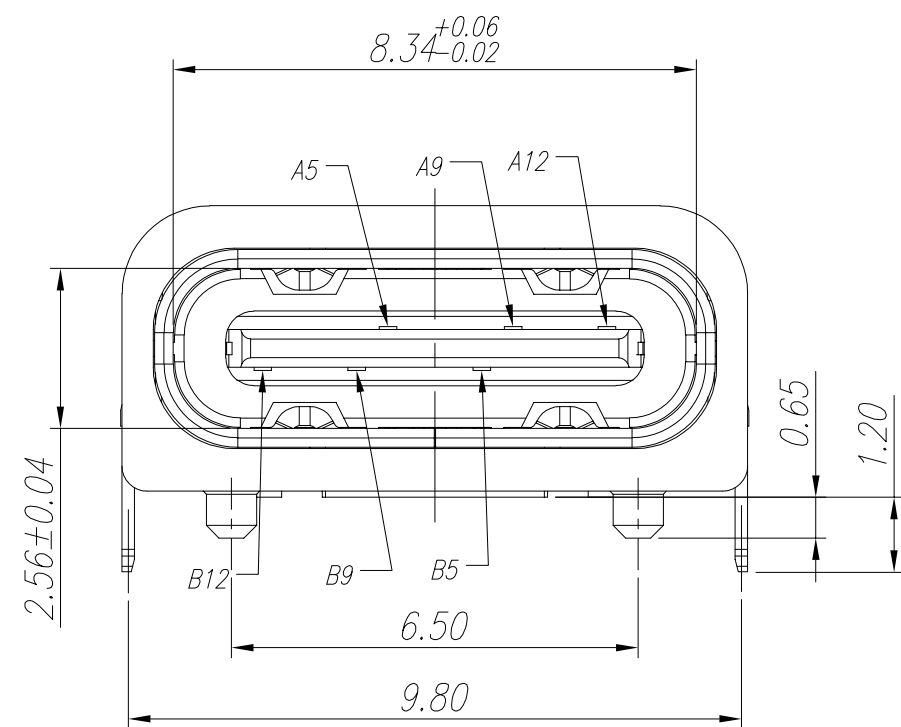
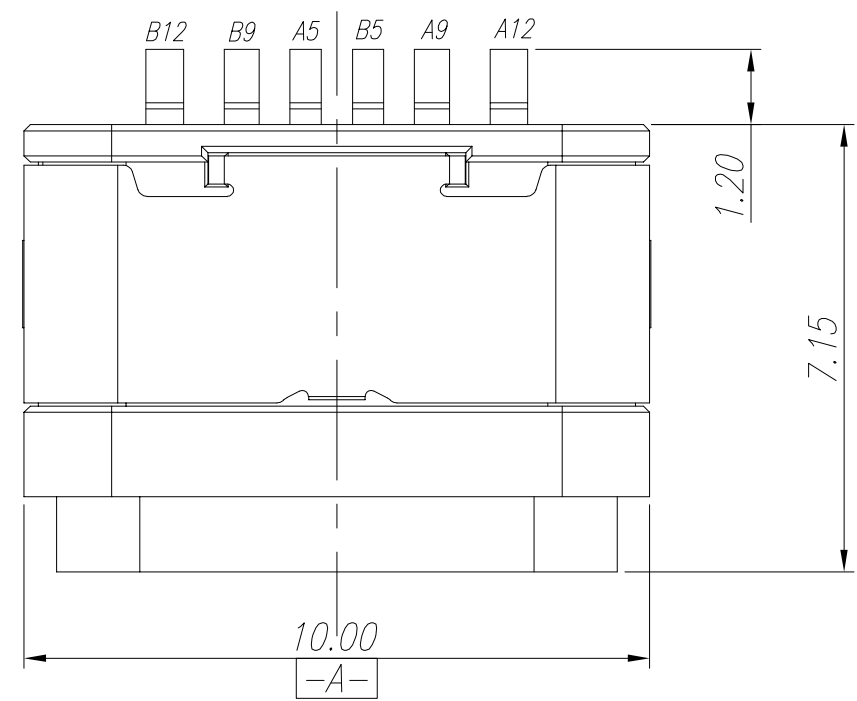
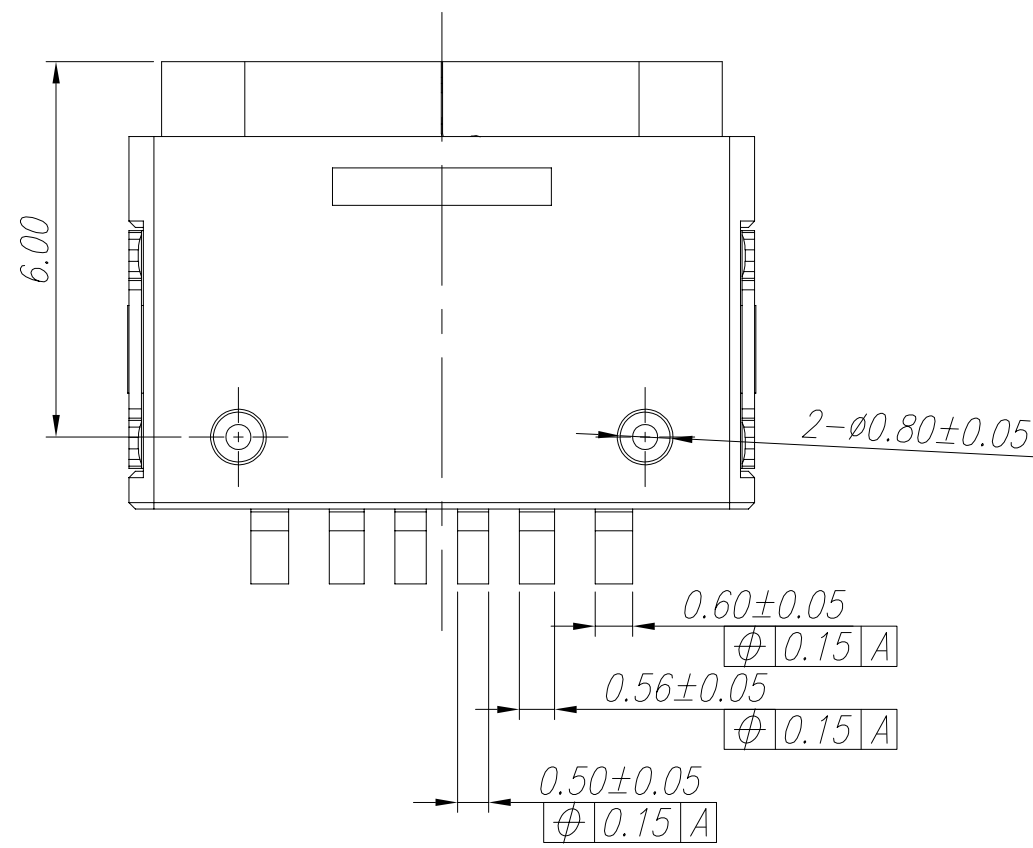


修改序号	修改说明	签名	日期
A/0			



SPECIFICATION:

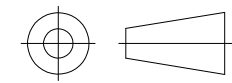
- 1.ELECTRICAL CHARACTERISTICS:
 - 1.1 CURRENT RATING: 3A
 - 1.2 TEMPERATURE RANGE: -40 °C ~ 85 °C
 - 1.3 CONTACT RESISTANCE: 30 MILLIONHM MAX.
 - 1.4 DIELECTRIC WITHSTANDING VOLTAGE: 100 VAC r.m.s
 - 1.5 INSULATION RESISTNACE: 100 MEGOHMS MIN.
- 2.MECHANICAL CHARACTERISTICS
 - 2.1 INSERTION FORCE: 5~20N
 - 2.2 EXTRACTION FORCE: Initial:8~20N,ATER TEST 6~20N
 - 2.3 DURABILITY:10,000CYCLES
- 3.THE SHELL LENTH IS LESS THAN THE MINIMUM SPECIFIED BY THE USB TYPE C STANDARD.AS SUCH IS CANNOT INDENOENDENTLY BE GUARANTEED TO MEET ALL TYPE C MECHANICAL REQUIREMENTS.



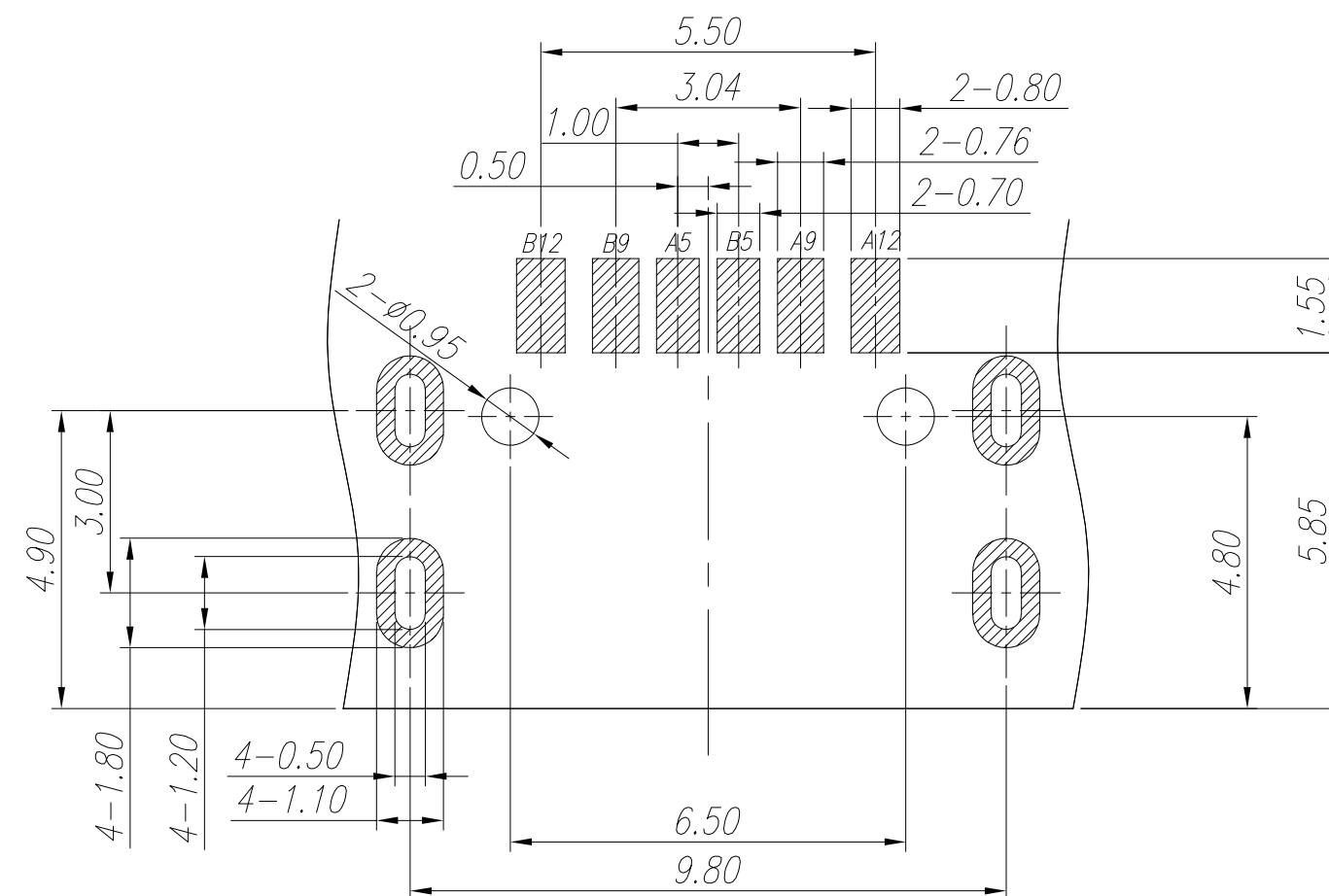
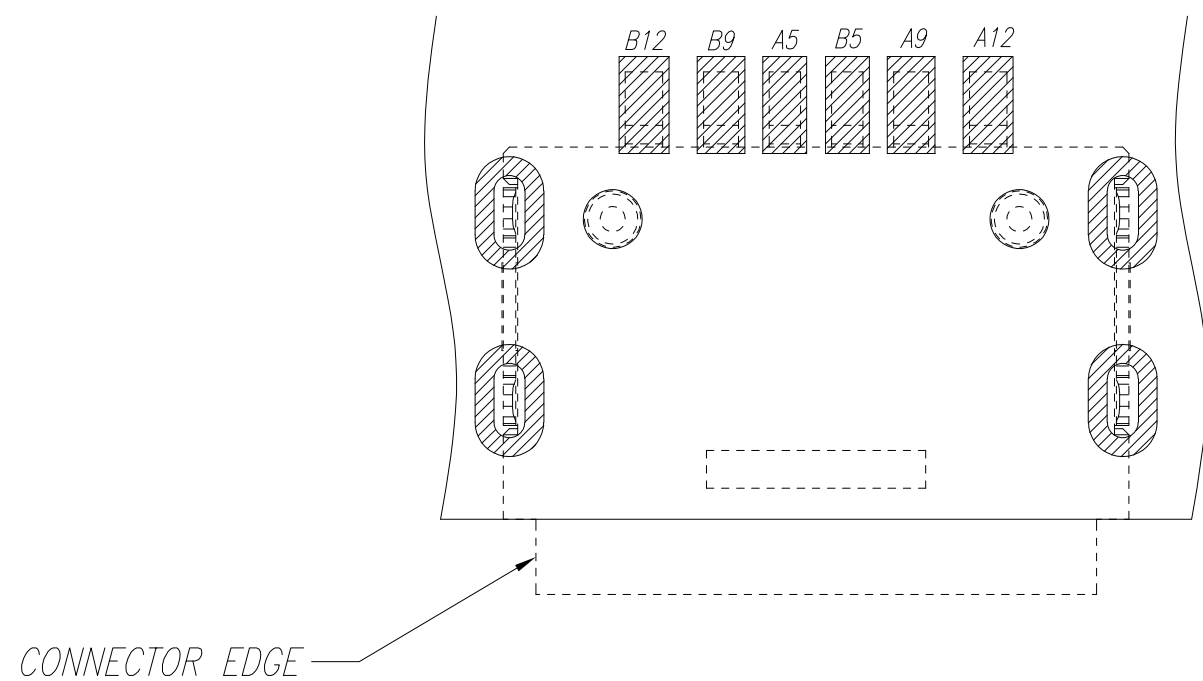
尺寸	允许公差
x	±0.50
.x	±0.20
.xx	±0.10
.xxx	±0.03
角度	±1.00°

深圳市创勤科技有限公司
SHENZHEN CHUANGQIN TECHNOLOGY CO., LTD.

图纸类型		图纸名称:	
产品工程图		6 Pin USB Type C 4.66H IPX8	
设计	LIN YUN	2020.04.15	产品料号
审核			CQ028-TFFS0671531
		视图	版号: A/0



修改序号	修改说明	签名	日期
A/0			



P.C.B LAYOUT VIEW

TOLERANCE ± 0.05

PIN ASSIGNMENT

Pin	Signal Name	Pin	Signal Name	Pin	Signal Name	Pin	Signal Name
A1	GND	B12	GND	A7	Dn1	B6	Dp2
A2	SSTXp1	B11	SSRXp1	A8	SBU1	B5	CC2
A3	SSTXn1	B10	SSRXn1	A9	VBUS	B4	VBUS
A4	VBUS	B9	VBUS	A10	SSRXn2	B3	SSTXn2
A5	CC1	B8	SBU2	A11	SSRXp2	B2	SSTXp2
A6	Dp1	B7	Dn2	A12	GND	B1	GND

NO.	DESCRIPTION	QTY.	MATERIAL	FINISHED
5	OUT_SHELL	1 PCS	STAINLESS STEEL	Ni Plated
4	OUT_HOUSING	1 SET	PLASTIC	None
3	CONTACT	1 SET	COPPER ALLOY	Au & Ni Plated
2	MOLDING HOUSING	1 PCS	PLASTIC	None
1	SHELL	1 PCS	STAINLESS STEEL	Ni Plated

尺寸	允许公差
x	± 0.50
.x	± 0.20
.xx	± 0.10
.xxx	± 0.03
角度	$\pm 1.00^\circ$

深圳市创勤科技有限公司
SHENZHEN CHUANGQIN TECHNOLOGY CO., LTD.

图纸类型: 产品工程图
图纸名称: 6 Pin USB Type C 4.66H IPX8

设计	LIN YUN	2020.04.15	产品料号	CQ028-TFFS0671531
审核			视图	
			版号:	A/0