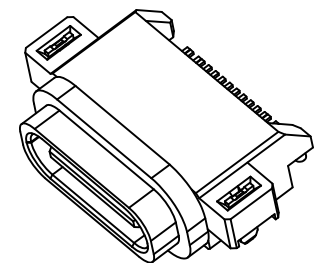
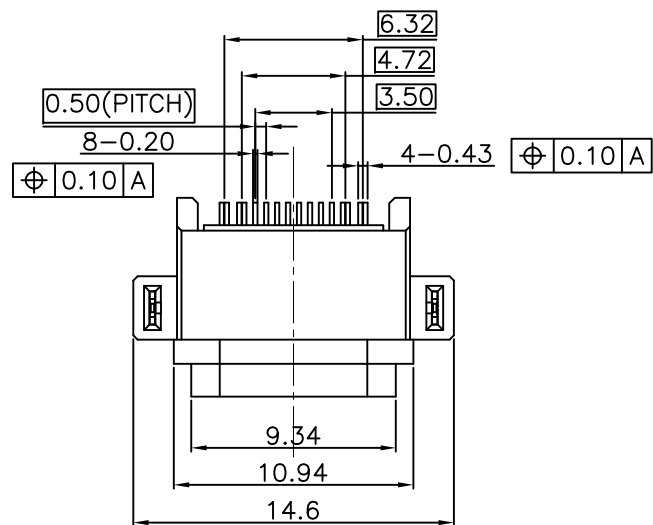
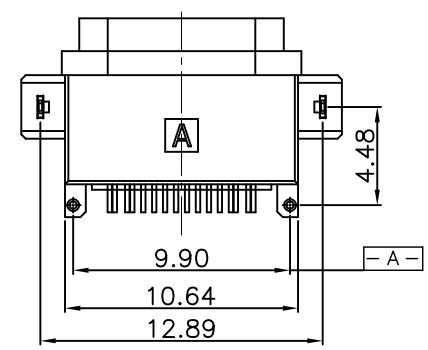
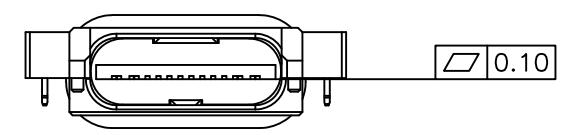
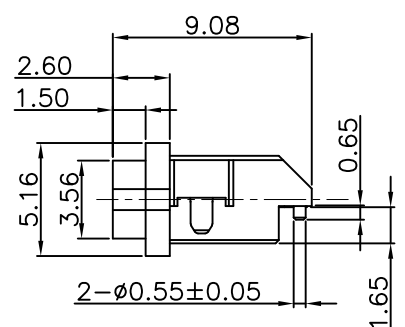
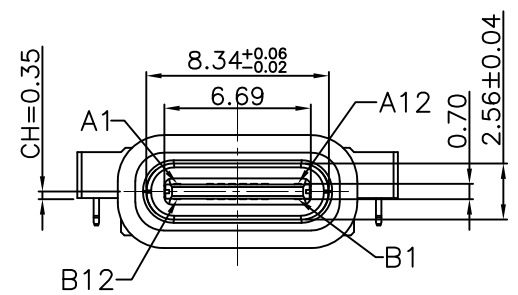


REV.	ECN. NO.	APPD.



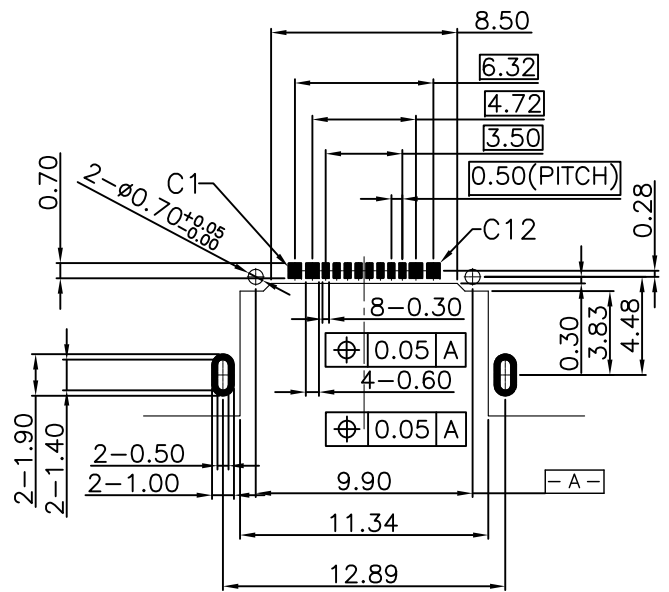
NOTES:  
SPECIFICATION:

1. CURRENT RATING: 3.0A MAX
2. DIELECTRIC WITHSTAND VOLTAGE: 100VAC
3. TEMPERATURE RANGE: -30 °C ~ 85 °C
4. CONTACT RESISTANCE: 40 MILLIONHM MAX
5. INSULATION RESISTANCE: 100 MEGOHMS MIN.
6. INSERTION FORCE : 5N~20N
7. UNMATING FORCE: 8N~20N
8. DURABILITY:10,000 CYCLES



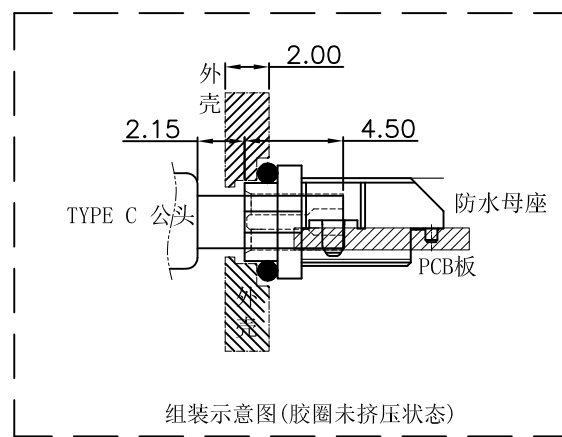
3	Shell	1	PA9T (G.F30%)							
2	Contact	5	Phosphor bronze C5191R-EH Au/Ni Plating T=0.12mm							
1	Housing	1	LCP (G.F30%)							
ITEM	PART NAME	Q' TY	FINISH	NOTE						
		UNITS	深圳市创勤电子有限公司							
		mm	SHENZHEN CHUANGQIN ELECTRONICS CO., LTD.							
		MAT'L	PART NO.	TITLE:						
			CQ060-TFCB91600160	TYPE C 2.0 16Pin SMT Type						
		FINISH	APPD: ZHANG	DWG NO.:						
			CHKD: LIJY	CQ060-TFCB91600160						
		Q' TY	DR: LINYUN 2018/09/26							
X.	±0.50	X.°	± 2°	<table border="1"> <tr> <td>SCALE</td> <td>SHEET</td> <td>REV.</td> </tr> <tr> <td>1/1</td> <td>1/2</td> <td>A2</td> </tr> </table>	SCALE	SHEET	REV.	1/1	1/2	A2
SCALE	SHEET	REV.								
1/1	1/2	A2								
.X	±0.30	.X°	± 1°							
.XX	±0.10	.XX°	± 0.5°							
.XXX	±0.05									

REV.	ECN. NO.	APPD.



**RECOMMENDED PCB LAYOUT(TOP VIEW)**

THICKNESS T=1.0mm  
 DEFAULT TOLERANCE+/-0.05



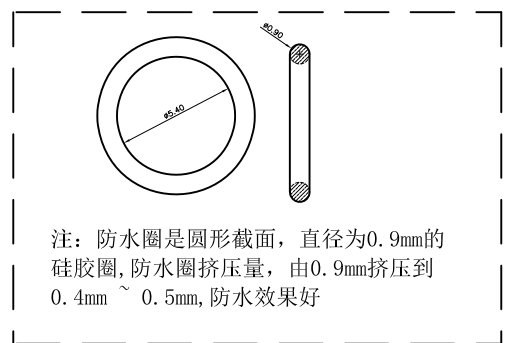
组装示意图(胶圈未挤压状态)

**INTERFACE(FRONT VIEW)**

A1	A2	A3	A4	A5	A6	A7	A8	A9	A10	A11	A12
GND			VBUS	CC1	DP1	DN1	SBU1	VBUS			GND
GND			VBUS	SBU2	DN2	DP2	CC2	VBUS			GND
B12	B11	B10	B9	B8	B7	B6	B5	B4	B3	B2	B1

**PIN ASSIGNMENT**

PIN NO.	A1&B12	A4&B9	B8	A5	B7	A6	A7	B6	A8	B5	A9&B4	A12&B1
SINGAL NAME	GND	VBUS	SBU2	CC1	DN2	DP1	DN1	DP2	SBU1	CC2	VBUS	GND
PCB PAD NO.	C1	C2	C3	C4	C5	C6	C7	C8	C9	C10	C11	C12



注：防水圈是圆形截面，直径为0.9mm的硅胶圈，防水圈挤压量，由0.9mm挤压到0.4mm ~ 0.5mm，防水效果好

UNITS mm	深圳市创勤电子有限公司 SHENZHEN CHUANGQIN ELECTRONICS CO.,LTD.	
MAT'L	PART NO. CQ060-TFCB91600160	TITLE: TYPE C 2.0 16Pin SMT Type
FINISH	APPD: ZHANG	DWG NO. : CQ060-TFCB91600160
	CHKD: LIJY	
Q' TY	DR: LINYUN 2018/09/26	

X.	±0.50	X.°	± 2°
.X	±0.30	.X°	± 1°
.XX	±0.10	.XX°	± 0.5°
.XXX	±0.05		

SCALE	SHEET	REV.