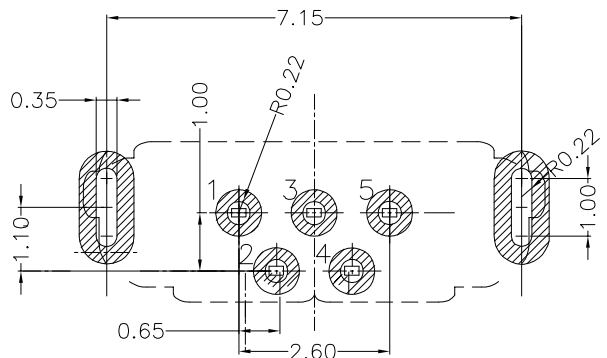
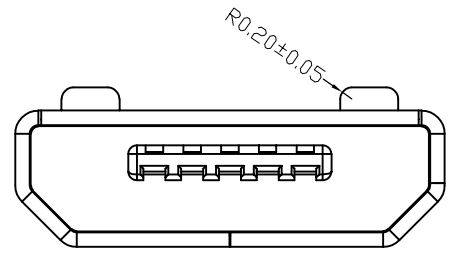
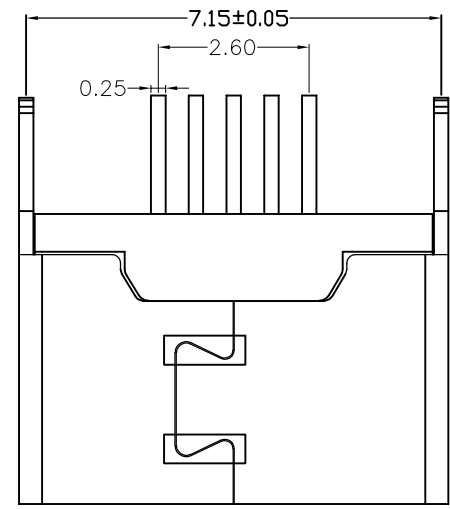
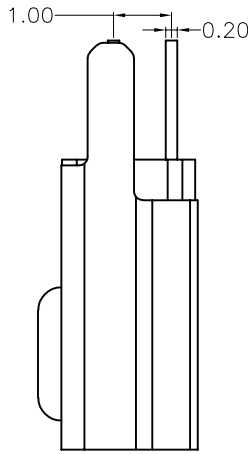
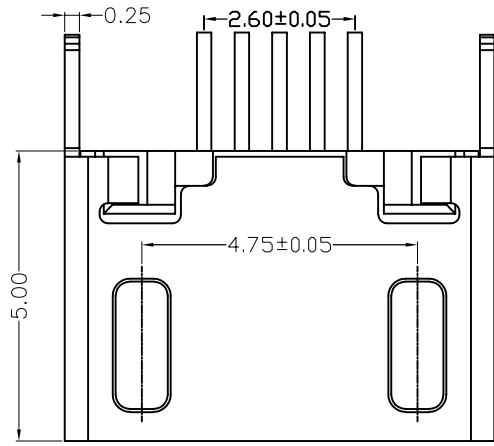


| | | | |
|------|------|----|----|
| 修改序号 | 修改说明 | 签名 | 日期 |
| A/0 | | | |



RECOMMENDED PCB LAYOUT

- Note:
- Material:
 - Housing: High temperature thermoplastic with g.f, UL94v-0
 - Contact: copper alloy, t=0.20mm
 - Shell: SUS, t=0.25mm
 - Specification:
 - Current rating: 1A Max
 - Dielectric withstanding voltage: 100V(AC) for 1 min.
 - Contact resistance: 40mΩ Max.
 - Insulation resistance: 100MΩ min.
 - Total mating force: 3.57 Kgf Max.
 - Total unmating force: 1.0 Kgf Min. 0.81~2.05 Kgf Min. after 10,000 insertion/extraction cycles
 - Temperature range: -30° C~80° C

| | |
|------|--------|
| 尺寸 | 允许公差 |
| .x | ±0.50 |
| .x | ±0.20 |
| .xx | ±0.10 |
| .xxx | ±0.03 |
| 角度 | ±1.00° |

深圳市创勤科技有限公司
SHENZHEN CHUANGQIN TECHNOLOGY CO., LTD.

| | | | |
|-------|---------|-------------------------------------|--------------------|
| 图纸类型 | | 图纸名称: | |
| 产品工程图 | | MICRO USB 5P F B TYPE 180度插板2.0凸包无边 | |
| 设计 | LIN YUN | 2012.11.26 | 产品料号 |
| 审核 | ZHANG | | CQ028-MFLC55012002 |
| | | 视图 | 版号: A/0 |

