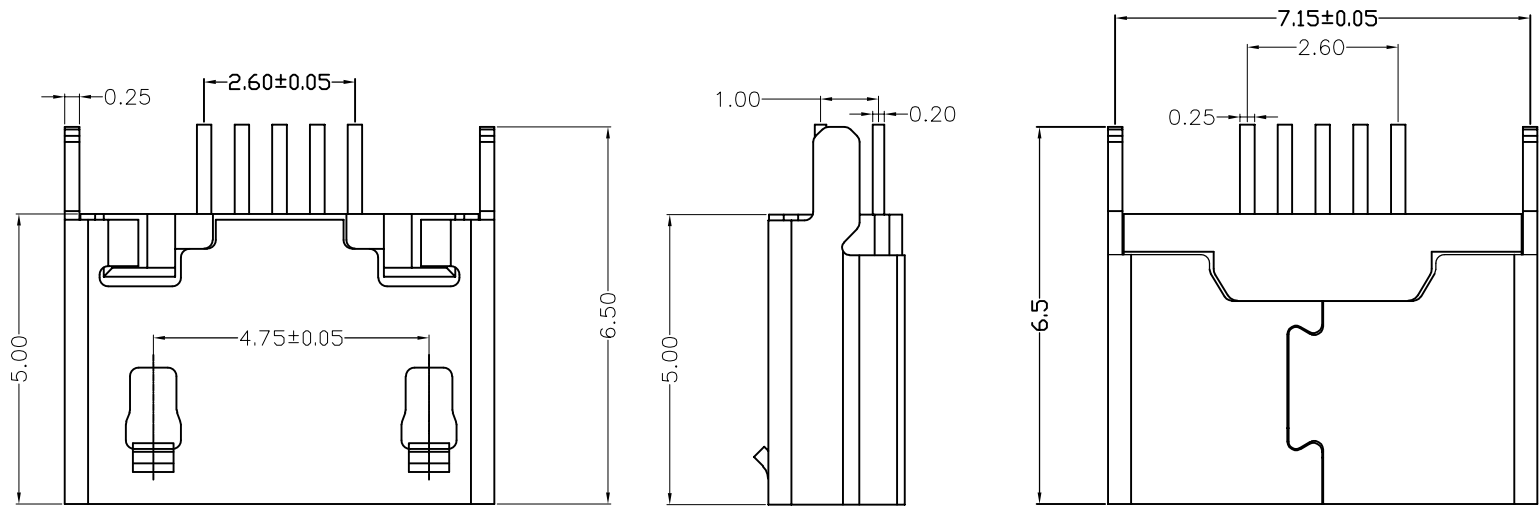
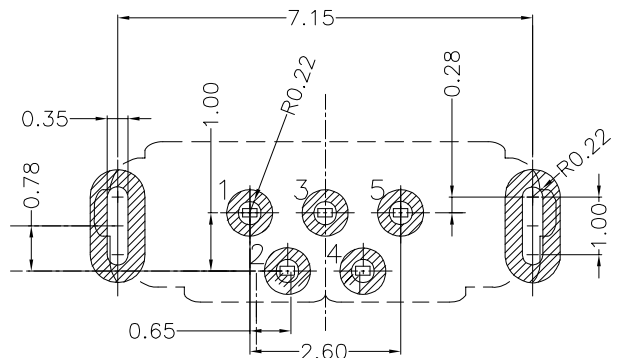
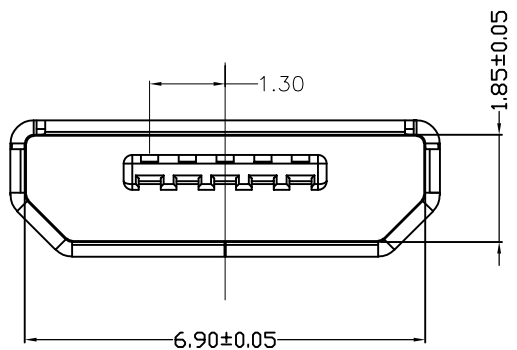


修改序号	修改说明	签名	日期
A/0			



- Note:
- Material:
 - Housing: High temperature thermoplastic with g. f, UL94v-0
 - Contact: copper alloy, t=0.20mm
 - Shell: SUS, t=0.25mm
 - Specification:
 - Current rating: 1A Max
 - Dielectric withstanding voltage: 100V (AC) for 1 min.
 - Contact resistance: 40mΩ Max.
 - Insulation resistance: 100MΩ min.
 - Total mating force: 3.57 Kgf Max.
 - Total unmating force: 1.0 Kgf Min. 0.81~2.05 Kgf Min. after 10,000 insertion/extraction cycles
 - Temperature range: -30° C~80° C



RECOMMENDED P.C.B LAYOUT

尺寸	允许公差
.x	±0.50
.x	±0.20
.xx	±0.10
.xxx	±0.03
角度	±1.00°

深圳市创勤科技有限公司
Shenzhen Chuangqin Technology Co., Ltd.

图纸类型		图纸名称:	
产品工程图		MICRO USB 5P F B TYPE 180无卷边	
设计	LIN YUN	2011.05.22	产品料号
审核			CQ028-MFLC52112001
		视图	版号: A/0

