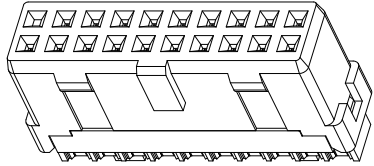
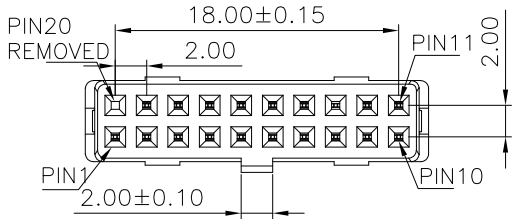


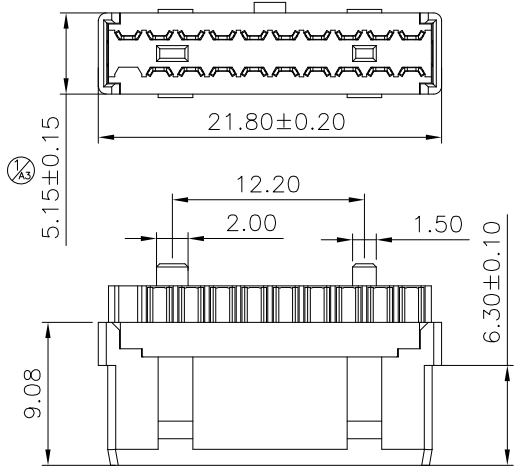
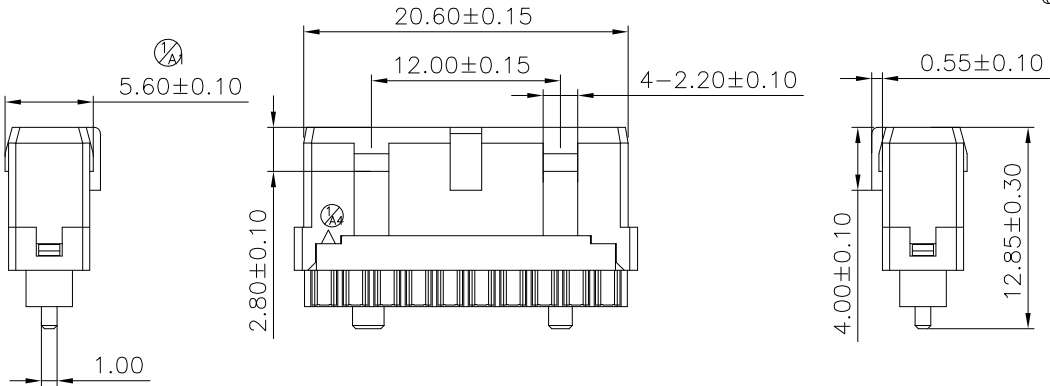
REV.	ECN NO.	DESCRIPTION	DRAW	CHECK	APPD.	DATE
A2	ECN130803006	变更料号	LIN YUN	—	—	21-11-20
A3	ECN160525001	按实物修正尺寸	LIN YUN	—	—	16-05-25
A4	ECN160719001	共模主体图面增加“△”符号 已便统一标识	LIN YUN	—	—	16-07-19



SPECIFICATIONS:
 Contact current Rating:
 0.5 Amperes per pin minimum for signals.
 1.5 Amperes per pin minimum for VBUS
 Dielectric Withstanding Voltage:AC 100V(RMS)
 Insulation resistance:100Megohms Minimum.
 Contact Resistance:
 Initial:30mΩ Max for mated connector
 final(after stress)50mΩMax
 Mechanical Characteristics:
 Mating Force:35 Newtoms.Maximum
 Unmating Force:15 Newtoms.Minimum.
 Durbaility :25 cycles done at a max rate
 for 200 cycles per hour

MATERIAL:
 Housing: PBT+30%GF 94V-0
 COLOR:BLUE/BLACK
 Contact: copper alloy
PLATING:
 contac : Au plated on contact area
 Tin plated on solder tail area
 Nickel underplating overall

operating Temperature:-55°to+85°



深圳市创勤科技有限公司
 Shenzhen Chuangqin Technology Co., Ltd.

UNLESS OTHERWISE SPECIFIED TOLERANCES X. +/- METRIC 0.30 .X +/- METRIC 0.25 .XX +/- METRIC 0.25 FRACTIONS +/- 2.00' ANGLES +/- DIMENSIONS (METRIC) (MM)	APPROVAL	日期	品名 规格	3.0 IDC 20PIN FEMALE (D TYPE) T=5.15
	制图 LIN YUN	2012.05.12		
	审核 LI JY	2012.05.12	料号	CQ033-IDCHX20P0388
	核准 ZHANG			
	文件位置		字张	工程图号: 版本: A4
	ANGLE OF PROJECTION			比例
			1 : 1	状态码 A 页数 1 OF 1