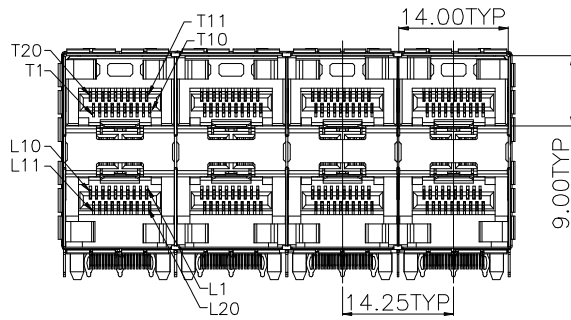


RoHS Compliant

更改 REV	变更内容 MODIFICATION	日期 DATE	制图 DRAW	核准 APPROVE
A	图面发行	2012/10/29	LINYUN	ZHANG



NOTE:

MATERIAL:

- CONTACT: PHOSPHOR BRONZE T=0.20mm.
- CONNECTOR HOUSING: HIGH TEMPERATURE PLASTIC UL 94V-0. COLOR: BLACK.
- MOULDED INSERT: HIGH TEMPERATURE PLASTIC UL 94V-0. COLOR:BLACK.
- CAGE: COPPER ALLOY T=0.25mm.
- LIGHT PIPES: POLYCARBONATE, UL 94V-0. COLOR: CLEAR
- LIGHT PIPE HOUSING: PBT+30%.G.F UL 94V-0 COLOR:BLACK.
- EMI CLIP: COPPER ALLOY.

PLATED:

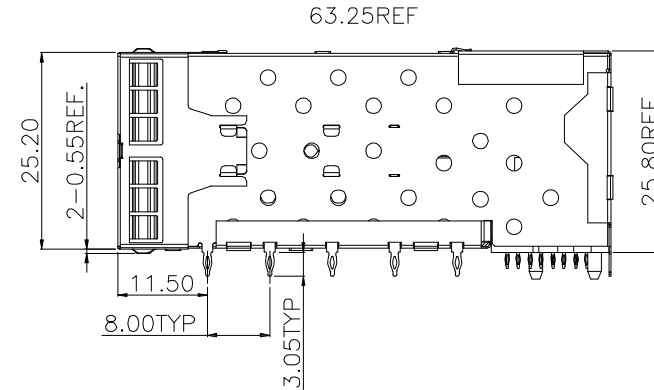
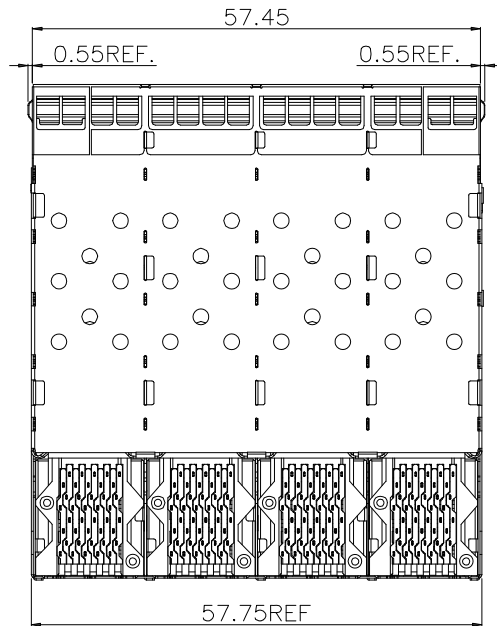
- CONTACT AREA : PLATING GOLD(SEE TABLE) MINIMUM OVER 1.25~2.54 MICROMETERS NICKEL.
- CONTACT NEEDLE EYE: 2.54~5.08 MICROMETERS MATTE TIN OVER 1.25~2.54 MICROMETERS NICKEL.
- EMI CLIP: 2.54~5.08 MICROMETERS TIN OVER 0.76~2.54 MICROMETERS NICKEL.

MECHANICAL REQUIREMENT:

- DURABILITY: 100 CYCLES MINIMUM.
- INSERTION AND EXTRACTION FORCE: 40N MAXIMUM & 11.5N MAXIMUM

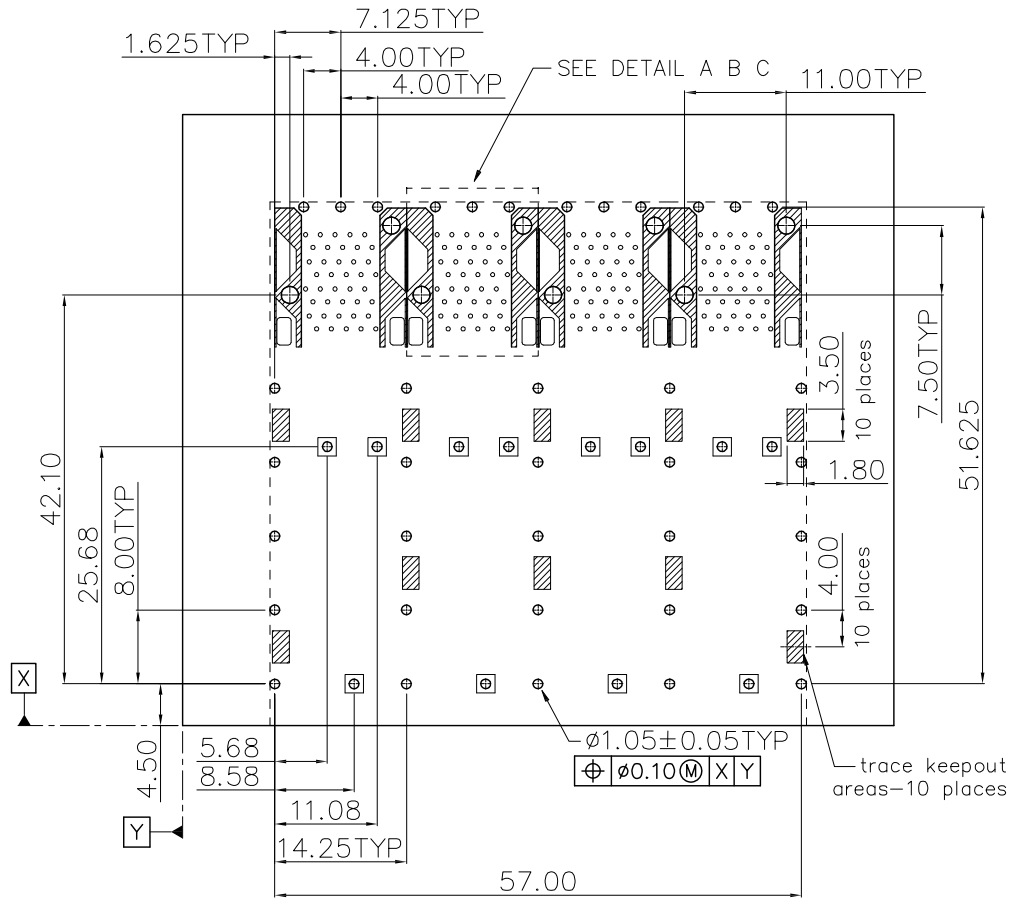
ENVIRONMENTAL:

- LOW LEVEL CONTACT RESISTANCE(LLCR):
D R 10 MILLIOHMS MAXIMUM FOR SHIELD AND SIGNAL CONTACTS.
- WITHSTANDING VOLTAGE: 300V AC/MAXIMUM.
- INSULATION RESISTANCE: 1×10^9 OHMS MINIMUM.
- RATINGS CURRENT: 0.5 Amps MAXIMUM.
- RATINGS VOLTAGE: 120 volts AC.
- OPERATION: -40°C~+85°C.
- STORAGE: -55°C~+105°C.
- ROHS COMPLIANT



HTTPS://WWW.CHNCONN.COM		深圳市创勤电子有限公司 SHENZHEN CHUANGQIN ELECTRONICS CO.,LTD.	
◎◎ : Inspection Item ◎P : Cp/Cpk and SPC Control Item	DIMENSION IN mm [Inch]		料号 PART NO: CQ047-SFP+2X4-L01-P
	TOLERANCE UNLESS OTHERWISE SPECIFIED		图号 DWG NO. SFP+2X4-L01-GZ
	.X± 0.25	X.°± 1°	名称 TITLE SFP+ CAGE 2X4 PRESS FIT
	.XX± 0.20	.X°± 0.5°	
.XXX± 0.15		核准 APPROVE ZHANG	审核 CHECK LIJY
	制图 DRAW LINYUN	画法 PROJ. 比例 SCALE 1:1	图框 SHEET A3 页次 1 / 1 更改 REV A

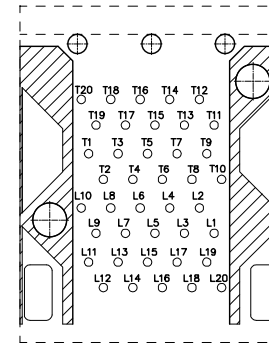
RoHS Compliant



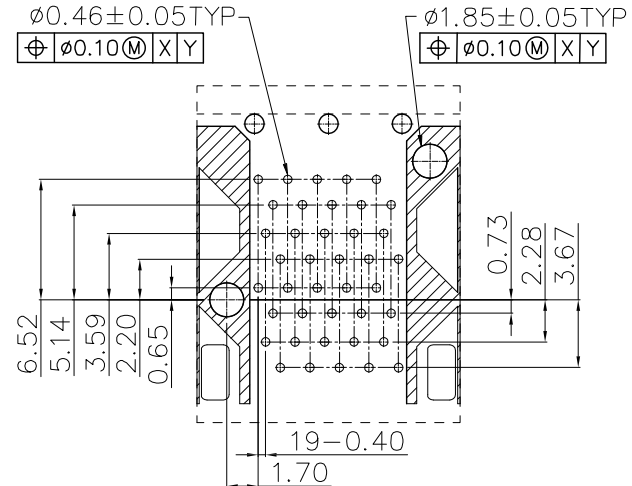
RECOMMENDED PCB LAYOUT (COMPONENT SIDE)
PCB TOLERANCE ±0.05

1. RECOMMENDED PCB THICKNESS:2.36
(MINIMUM PCB THICKNESS:1.57)
2. 考虑客户使用兼容性器件, □ 处孔位, 建议PCB LAYOUT图有设计, 但我司此规格器件处无对应引脚。

更改 REV	设计内容 MODIFICATION	日期 DATE	制图 DRAW	核准 APPROVE
A	图面发行	2012/10/29	LINYUN	ZHANG



DETAIL A
SCALE 2:1



DETAIL B
SCALE 2:1

Inspection Item		DIMENSION IN mm [Inch]		深圳市创勤电子有限公司 SHENZHEN CHUANGQIN ELECTRONICS CO., LTD.		
◎ : Inspection Item	◎ : Cp/Cpk and SPC Control Item	TOLERANCE UNLESS OTHERWISE SPECIFIED		料号 PART NO:	图号 DWG NO.	
		.X±0.25	X°± 1°	CQ047-SFP+2X4-L01-P	SFP+2X4-L01-GZ	
		.XX±0.20	.X°± 0.5°	名称 TITLE		
		.XXX±0.15		SFP+ CAGE 2X4 PRESS FIT		
核准 APPROVE	ZHANG	审核 CHECK	LIJY	制图 DRAW	LINYUN	
		角法 PROJ.	比例 SCALE	图框 SIZE	页次 SHEET	
		1:1	A3	1	2	
		图框 SIZE	页次 SHEET	更改 REV	A	

[HTTPS://WWW.CHNCONN.COM](https://www.chnconn.com)

深圳市创勤电子有限公司
SHENZHEN CHUANGQIN ELECTRONICS CO., LTD.

料号
PART NO: CQ047-SFP+2X4-L01-P

图号
DWG NO. SFP+2X4-L01-GZ

名称
TITLE
SFP+ CAGE 2X4 PRESS FIT

核准
APPROVE ZHANG

审核
CHECK LIJY

制图
DRAW LINYUN

角法
PROJ.

比例
SCALE 1:1

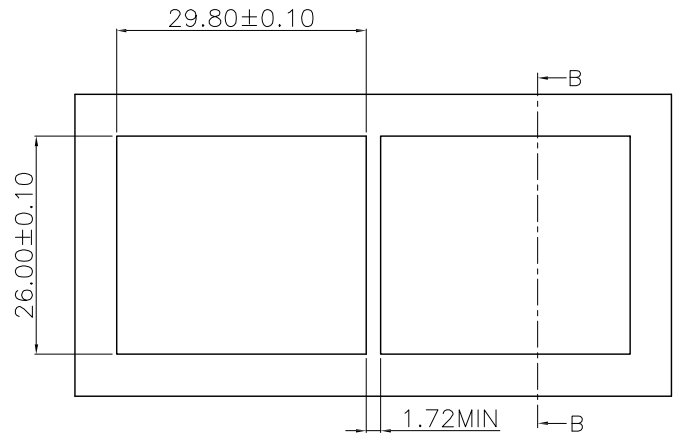
图框
SIZE A3

页次
SHEET 1 / 2

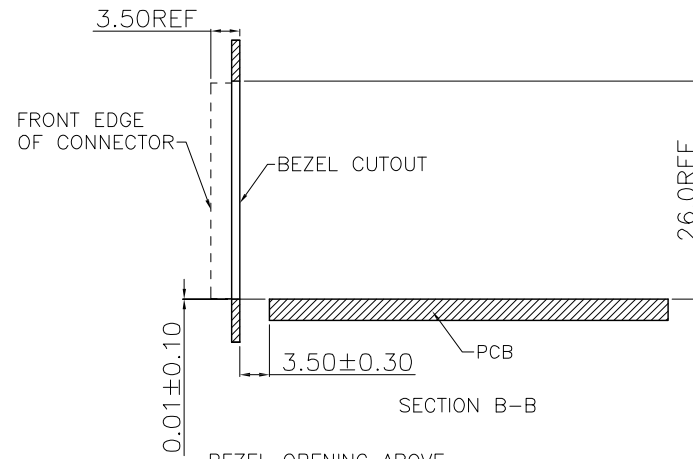
更改
REV A

RoHS Compliant

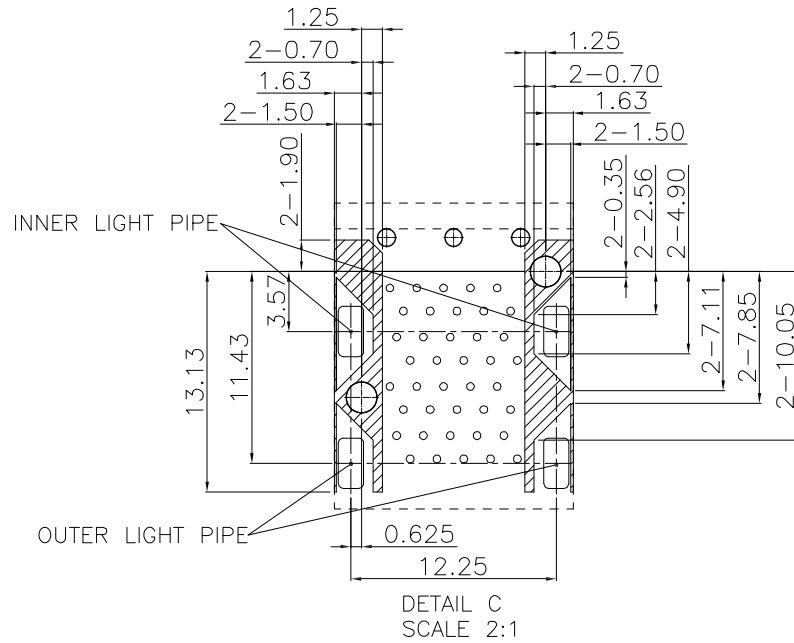
更改 REV	设计内容 MODIFICATION	日期 DATE	制图 DRAW	核准 APPROVE
A	图面发行	2012/10/29	LINYUN	ZHANG



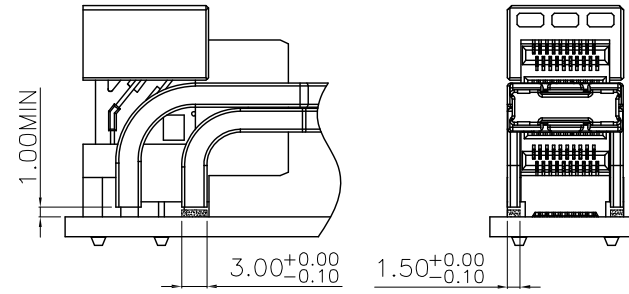
BEZEL
RECOMMENDED PANEL CUTOUT AND PC BOARD
PANEL POSITION AND THICKNESS 0.8-2.6



SECTION B-B
BEZEL OPENING ABOVE
TOP OF PC BOARD



DETAIL C
SCALE 2:1



LED CLEARANCE REQUIREMENTS

HTTPS://WWW.CHNCONN.COM		深圳市创勤电子有限公司 SHENZHEN CHUANGQIN ELECTRONICS CO., LTD.	
Inspection Item Cp/Cpk and SPC Control Item	DIMENSION IN mm [Inch]		料号 PART NO: CQ047-SFP+2X4-L01-P
	TOLERANCE UNLESS OTHERWISE SPECIFIED		图号 DWG NO. SFP+2X4-L01-GZ
	.X±0.25	X.°± 1°	名称 TITLE SFP+ CAGE 2X4 PRESS FIT
	.XX±0.20	.X.°± 0.5°	
.XXX±0.15			
核准 APPROVE ZHANG	审核 CHECK LIJY	制图 DRAW LINYUN	画法 PROJ. 比例 SCALE 1:1
		图框 SHEET A3	张数 SHEET 1 / 3
		更改 REV A	