

更改 REV	变更内容 MODIFICATION	日期 DATE	制图 DRAW	审核 APPROVE
A	版面发行	2012/10/29	JDL	Oscar

NOTES:

MATERIAL:

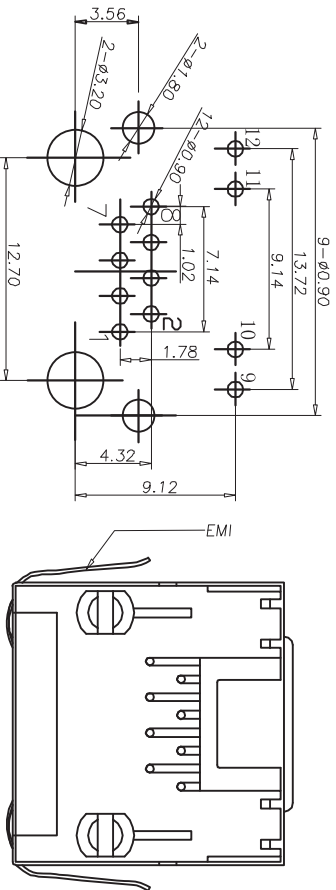
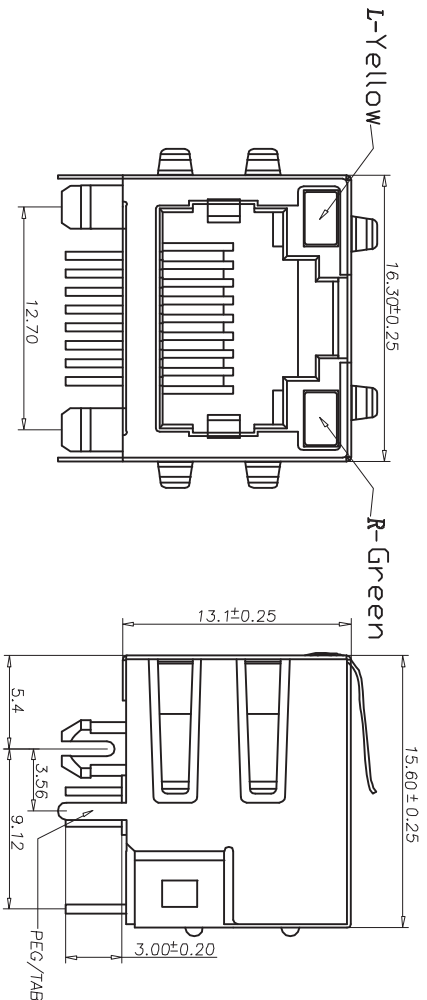
- 1.HOUSING MATERIAL :GLASS FILED POLYESTER(U94V-0).
- 2.CONTACT MATERIAL :PHOSPHOR BRONZE Ø0.46mm (C5100).
- 3.PLATING :GOLD PLATING OVER NICKEL.
- 4.SHIELD COPPER ALLOY(OR STEEL ALLOY) 0.20mm THICKNESS PLATING NI.
- 5.LEAD OPTION.

ELECTRICAL:

- 1.VOLTAGE RATING :125 VAC RMS.
- 2.CURRENT RATING :1.5 AMP.
- 3.CONTACT RESISTANCE :50 MILLIOHMS MAX.
- 4.INSULATION RESISTANCE :500 MEGOHMS MIN @ 500V DC.
- 5.DIELECTRIC WITHSTANDING RESISTANCE :1000V AC RMS 50Hz. 1MIN.
- 6.LEAD RATINGS:FORWARD VOLTAGE:2.2 VOLTS TYPICAL.
REVERSE VOLTAGE:5 VOLTS MAXIMUM.

MECHANICAL:

- 1.DURABILITY:750 CYCLES MIN.
 - 2.PCB RETENTION PRE-SOLDER ENVIRONMENTAL:
1.STORAGE : -40°C TO +85°C.
2. OPERATION: -20°C TO 70°C.
- MATES WITH MODULAR PLUG CONFORMING TO FCC PART 68,SUBPART F.



PC Board Layout

PART NUMBER: 56A-S1188L1-E2XX

GREEN



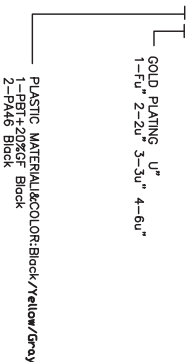
9

YELLOW



11

单色灯脚位图



: Inspection Item		: Cp/Cpk and SPC Control Item	
DIMENSION IN mm [Inch]		TOLERANCE UNLESS OTHERWISE SPECIFIED	
.X±0.20		X*±1*	
.XXX±0.15		.X*±0.5*	
.XXX±0.075			
批准 APPROVE	检查 CHECK	制图 DRAW	审核 REV
Shenzhen Chuangqin Technology Co., Ltd.		深圳市创勤科技有限公司	
图号 FILE NO.		图号 DWG NO.	
56A-S1188L1-E2		56A-S1188L1-E2	
标题 TITLE 56A 1X1 8PBC LED PCB JACK&SHIELDED WITH EMI FINGER SIDE ENTRY,TAB-UP ROUND PIN			
比例 SCALE		图例 SIZE	
1:1		A3	
1		1	
A		A	