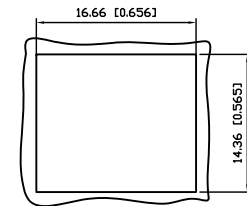
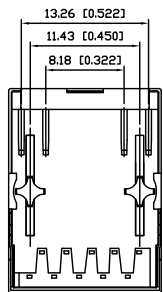
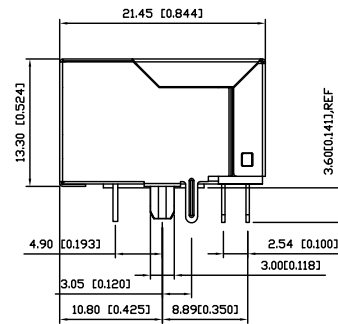
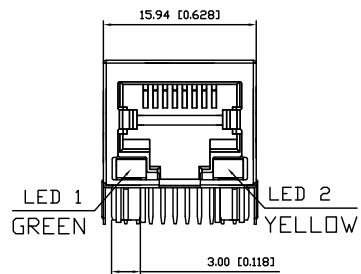


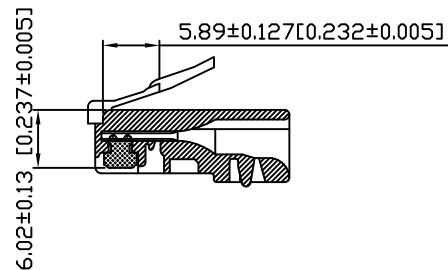
REV.	ECN.NO.	NAME	DATE
A	NEW	JY Lee	2016.11.15

# 1. MECHANICAL DIMENSIONS :

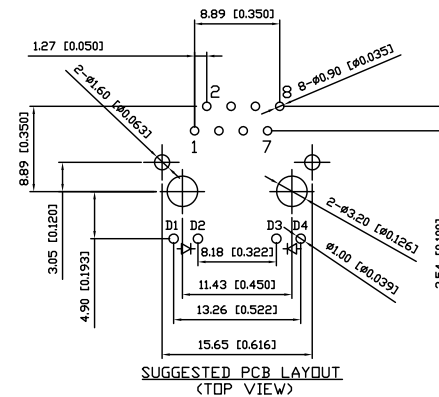


RECOMMENDED  
PANEL CUTOUT DIMENSION

# RECOMMENED PLUG DIMENSION:



# 2. PCB LAYOUT :



SUGGESTED PCB LAYOUT  
(TOP VIEW)

# SUGGESTED PCB LAYOUT (TOP VIEW)

## NOTES:

- MATERIAL:
  - HOUSING: HIGH TEMPERATURE PBT UL94V-0 BLACK
  - CONTACTS: T=0.35mm, PHOSPHOR BRONZE, NICKEL 50μ\*MIN UNDERPLATE ON ALL AREA, TIN 80μ\*MIN ON TERMINATION END, 6U GOLD ON CONTACT AREA.
  - SHIELD: T=0.20mm, NICKEL 50μ\*MIN PLATING
- OPERATING TEMPERATURE : 0°C~70°C  
STORAGE TEMPERATURE : -40°C~85°C
- CAVITY CONFORMS TO FCC RULES AND REGULATIONS PART 68, SUBPART F.

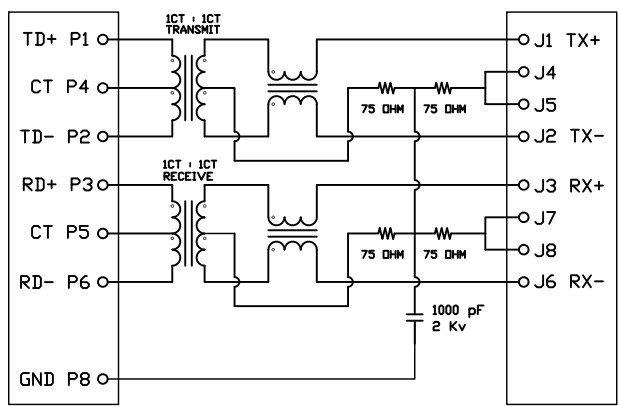
TOLERANCE UNSPECIFIED		深圳市创勤科技有限公司	
.0	± 0.50	SHENZHEN CHUANGQIN TECHNOLOGY CO., LTD.	
.0	± 0.38	TITLE: RJ45 Connectors, W/LED, 8P, 8C,	
.00	± 0.25	100 Mbps /FILTER	
.000	± 0.10	SIZE: A4	UNIT: MM
ANGLE	± 3.°	PART NO. HRJA-E01C01G015NL	
MANUFACTURING COPY		SCALE: 1:1	PROJECTION
DRAWN BY:		DWG . PATH	E\RJ\CH\
CHECKED BY:		REV.: A	
APPROVED		SHEET: 10F2	

7	8
REV.	ECN.NO.
A	NEW
NAME	DATE
JY Lee	2016.11.15

3. SCHEMATIC:

CONNECTOR SOLDER SIDE

RJ45 CONTACT SIDE

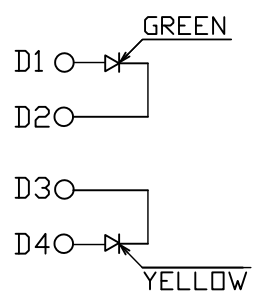


4. ELECTRICAL CHARACTERISTICS :

TEST NOTES:(25±5°C)

- 1.TR:(100KHz,0.1V);  
PINS:(P1-P2):(J1-J2)=1:1±3%  
PINS:(P3-P6):(J3-J6)=1:1±3%
- 2.LX:(100KHz,100mV,8mA, DC Bias)  
PINS: (P1,P2),(P7,P8)=350uH MINIMUM
- 3.DCR:  
PINS:(J1-J2),(J3-J6)= 1.2 OHMS MAXIMUM
- 4.HIPOT:  
PINS(P1,P4,P2)TO(J1,J2)=1500VAC FOR 60 SECONDS  
PINS(P3,P5,P6)TO(J3,J6)=1500VAC FOR 60 SECONDS
- 5.INSERTION LOSS:  
-1.0dB MAXIMUM AT 0.3MHz TO 100MHz;
- 6.RETURN LOSS:  
-20dB MINIMUM AT 1MHz TO 30MHz;  
-15dB MINIMUM AT 30MHz TO 60MHz  
-10dB MINIMUM AT 60MHz TO 80MHz
- 7.CROSS TALK:  
-30dB MINIMUM AT 1MHz TO 100MHz
- 8.COMMON TO COMMON MODE REJECTION:  
-30dB MINIMUM AT 1MHz TO 100MHz

5. LED CONFIGURATION :



TOLERANCE UNSPECIFIED		深圳市创勤科技有限公司			
.0	± 0.50	SHENZHEN CHUANGQIN TECHNOLOGY CO.,LTD.			
.00	± 0.38	TITLE: RJ45 Connectors, W/LED , 8P, 8C,			
.000	± 0.25	100 Mbps /FILTER			
ANGLE	± 3.°	DRAWN BY:	SIZE: A4	UNIT: MM	PART NO. HRJA-E01C01G015NL
MANUFACTURING COPY		CHECKED BY:	SCALE: 1:1	PROJECTION	REV.: A
		APPROVED	DWG . PATH	E\RJ\CH\	SHEET:2OF2