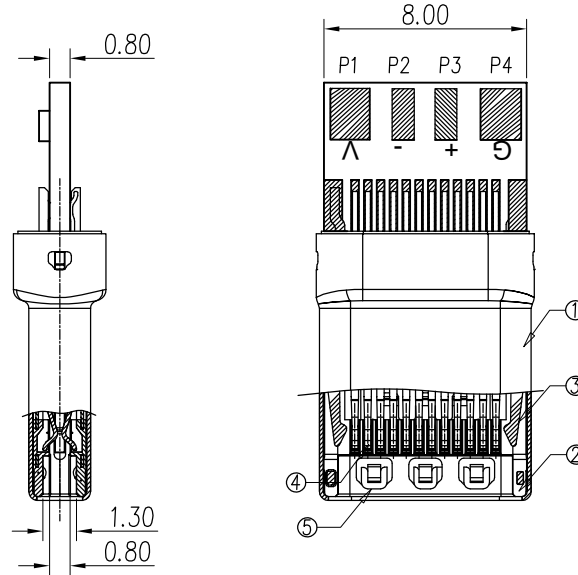
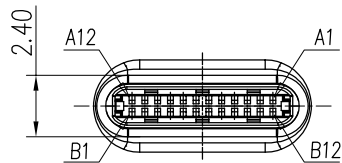
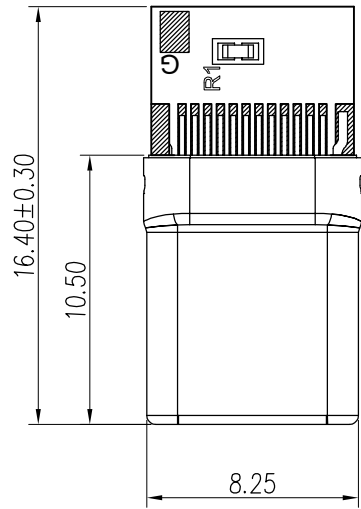
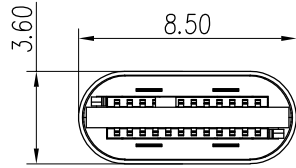


RoHS



A12	A11	A10	A9	A8	A7	A6	A5	A4	A3	A2	A1
GND			VBUS	SBU1	D-	D+	CC	VBUS			GND
GND			VBUS	Vconn			SBU2	VBUS			GND
B1	B2	B3	B4	B5	B6	B7	B8	B9	B10	B11	B12

P1	A4,A9,B4,B9	P4	A1,A12,B1,B12,Shell
P2	A7	P5	A1,A12,B1,B12,Shell
P3	A6	R1	56KΩ
P5		P1 P2 P3 P4	

UNITS	SCALE	REV.	SHEET
mm	1:1	B3	1 OF 1
DATE		2017.04.15	
DR.		LIN YUN	
CHK.		LI JY	
APPD.		ZHANG	
GENERAL TOLERANCE			
X.	±0.30		
X.X	±0.25		
X.XX	±0.20		
X.XXX	±0.10		
X.X*	±3°		
X.XX*	±1°		

Specification:

1.Electrical Characteristics:

- Contact Current Rating: 3 Amperes Max.
- Rated Voltage: 20V Max.
- Dielectric Withstanding Voltage: AC 100V r.m.s.
- Insulation Resistance: 100 MΩ Minimum.
- Contact Resistance: 40 mΩ Maximum.

2.Environmental:

- Operating Temperature: -30°C~+85°C.

3.Mechanical Characteristics:

- Insertion Force: 5~20Nf.
- Withdrawal Force: 8~20Nf.
- Durability Cycles: 10,000 Cycles.

NO.	NAME	DESCRIPTION
7	R1	56KΩ
6	P.C.B	FR4
5	EMC SPRING	Stainless Steel;SUS201,T=0.10mm;
4	CONTACT	Copper Alloy;AuNiSn; Au: 1u" T=0.15
3	LATCH	SUS201,T=0.35mm; Sn 80u"
2	HOUSING	LCP Thermoplastic,UL94V-0;
1	SHELL	SUS316,T=0.15mm;

深圳市创勤科技有限公司
SHENZHEN CHUANGQIN TECHNOLOGY CO., LTD.

TITLE
TCMLS24P夹板带PCB板4焊点56K电阻

MAT'L SEE TABLE FINISH SEE TABLE

DWG.NO. CQ013-TMLS2456849 A PART NO. SEE TABLE SIZE A4