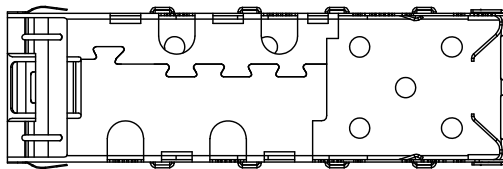
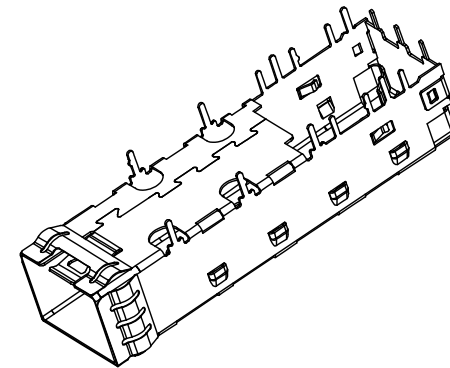
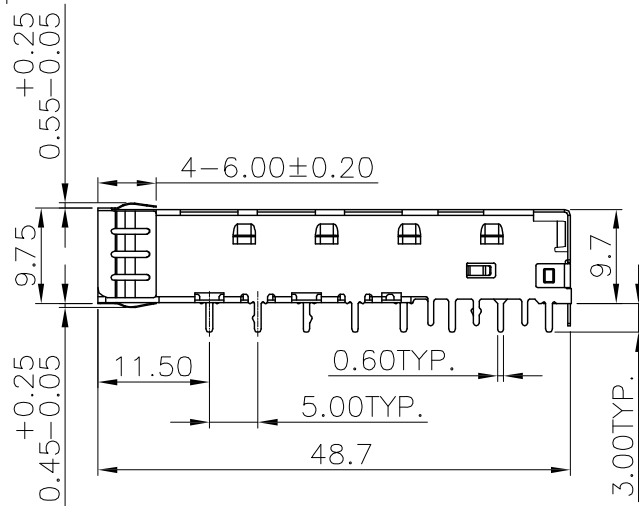
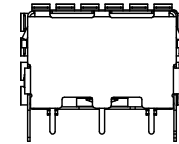
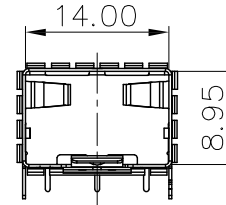
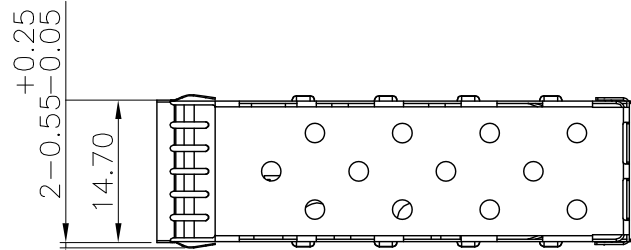


RoHS Compliant

| 更改 REV | 设计内容 MODIFICATION | 日期 DATE | 制图 DRAW | 核准 APPROVE |
|-----------|----------------------|------------|------------|---------------|
| A | 图面发行 | 2012/10/29 | | |
| | | | | |
| | | | | |

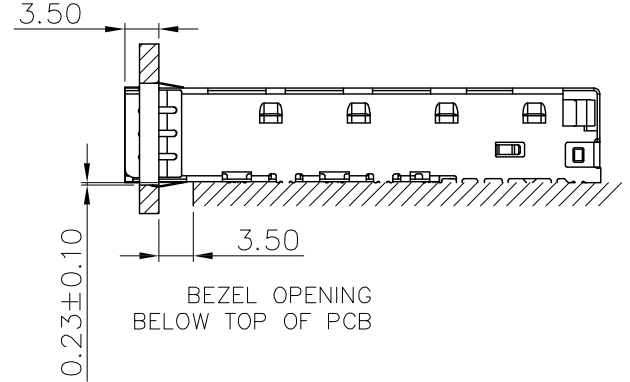
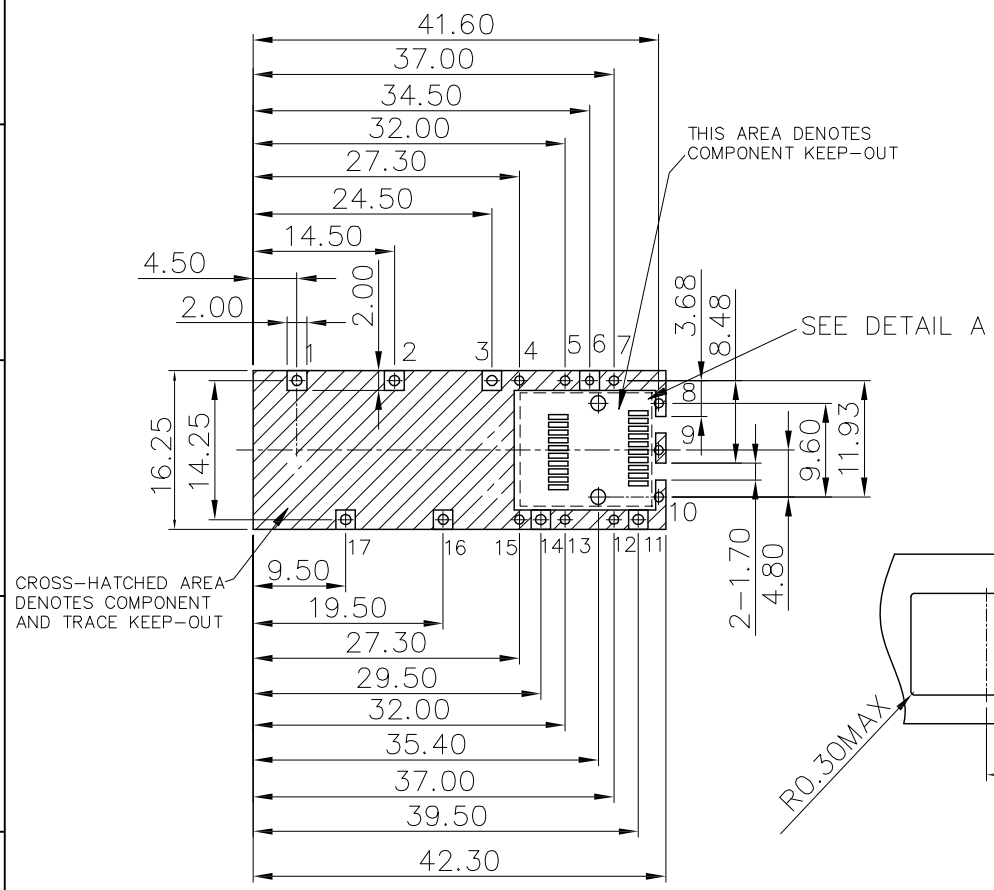


NOTES:
 MECHANICAL:
 CAGES: COPPER ALLOY, THICKNESS 0.25MM.
 PLATING: NO NEED.
 THIS CAGE IS FOR SINGLE SIDE USE ONLY.
 TEMPERATURE:
 OPERATION: -40°C~+85°C
 STORAGE: -40°C~+85°C
 RoHS COMPLIANCE.

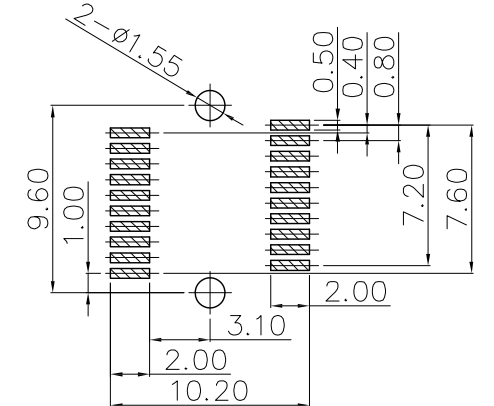
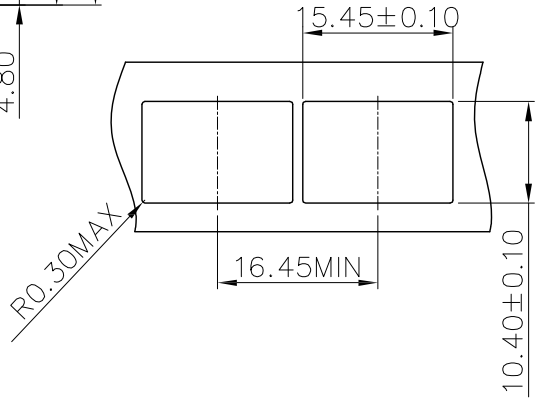
| | | | | |
|--|--------------------------------------|---|---------------------|---------------|
| HTTPS://WWW.CHNCONN.COM | | 深圳市创勤电子有限公司 SHENZHEN CHUANGQIN ELECTRONICS CO., LTD. | | |
| ◎ : Inspection Item ◎ : Cp/Cpk and SPC Control Item | DIMENSION IN mm [Inch] | | 料号 PART NO: | 图号 DWG NO. |
| | TOLERANCE UNLESS OTHERWISE SPECIFIED | | CG047-SFP+1X1-LN-DZ | SFP+1X1-GZ |
| | .X± 0.25 | X.°± 1° | 名称 TITLE | |
| | .XX± 0.20 | .X°± 0.5° | | |
| .XXX± 0.15 | | SFP+ CAGE 1X1 DIP FIT | | |
| 核准 APPROVE | 审核 CHECK | 制图 DRAW | 画法 PROJ. | 图例 SHEET |
| ZHANG | LIJY | LINYUN | 比例 SCALE | 张数 SHEET |
| | | | 1:1 | 1 / 1 |
| | | | 图例 SIZE | 更改 REV |
| | | | A3 | A |

RoHS Compliant

| 更改 REV | 设计内容 MODIFICATION | 日期 DATE | 制图 DRAW | 核准 APPROVE |
|-----------|----------------------|------------|------------|---------------|
| A | 图面发行 | 2012/10/29 | LINYUN | ZHANG |



CROSS-HATCHED AREA DENOTES COMPONENT AND TRACE KEEP-OUT



1. RECOMMENDED PCB THICKNESS: 2.36 (TOP VIEW)
(MINIMUM PCB THICKNESS: 1.57)
(ALL TOLERANCES ARE ±0.05)

RECOMMENDED PANEL CUTOUT AND PC BOARD
PANEL POSITION AND THICKNESS 0.8-2.6

DETAIL A (SCALE 2:1)

NOTE:
1,2,3,11,14,16,17#孔直径为1.05mm;
4,5,7,8,9,10,12,13,15#孔直径为0.95mm;
6#孔直径为0.85mm;

| | | | | |
|---|--------------------------------------|---|-----------------------|---------------|
| HTTPS://WWW.CHNCONN.COM | | 深圳市创勤电子有限公司 SHENZHEN CHUANGQIN ELECTRONICS CO., LTD. | | |
| Inspection Item Cp/Cpk and SPC Control Item | DIMENSION IN mm [Inch] | | 料号 PART NO.: | 图号 DWG NO. |
| | TOLERANCE UNLESS OTHERWISE SPECIFIED | | CQ047-SFP+1X1-LN-DZ | SFP+1X1-GZ |
| | .X±0.25 | X°±1° | 名称 TITLE | |
| | .XX±0.20 | .X°±0.5° | SFP+ CAGE 1X1 DIP FIT | |
| .XXX±0.15 | | 核准 APPROVE | 审核 CHECK | 制图 DRAW |
| | | ZHANG | LIJY | LINYUN |
| | | 方法 PROJ. | 比例 SCALE | 张数 SHEET |
| | | 1:1 | A3 | 1 / 2 |
| | | 更改 REV | A | A |