

RoHS

Specification:

1.Electrical Characteristics:

Contact Current Rating: 3 Amperes Max.
 Rated Voltage: 20V Max.
 Dielectric Withstanding Voltage: AC 100V r.m.s.
 Insulation Resistance: 100 MΩ Minimum.
 Contact Resistance: 40 mΩ Maximum.

2.Environmental:

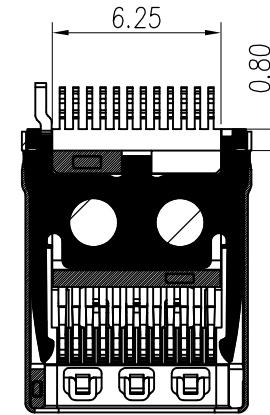
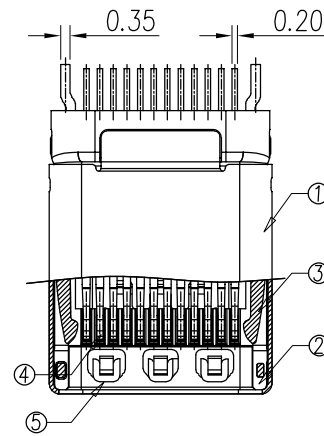
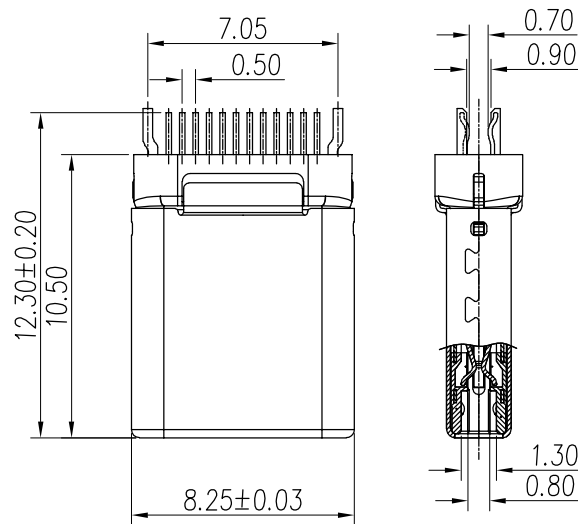
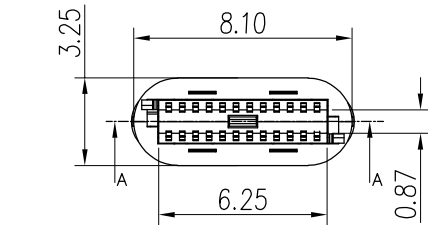
Operating Temperature: -30°C~+85°C.

3.Mechanical Characteristics:

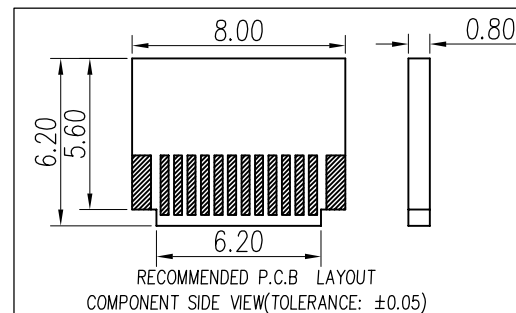
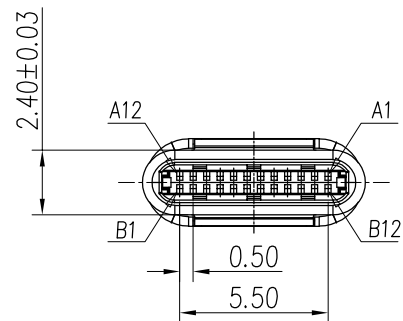
Insertion Force: 5~20Nf.

Withdrawal Force: 8~20Nf.

Durability Cycles: 10,000 Cycles.



A-A 剖面图



A12	A11	A10	A9	A8	A7	A6	A5	A4	A3	A2	A1
GND	RX2+	RX2-	VBUS	SBU1	D-	D+	CC	VBUS	TX1-	TX1+	GND
GND	TX2+	TX2-	VBUS	Vconn			SBU2	VBUS	RX1-	RX1+	GND
B1	B2	B3	B4	B5	B6	B7	B8	B9	B10	B11	B12

NO.	NAME	DESCRIPTION
5	EMC SPRING	Stainless Steel; SUS201, T=0.10mm;
4	CONTACT	Copper Alloy; AuNiSn; Au: 1u" T=0.15
3	LATCH	SUS201, T=0.35mm; Sn 80u"
2	HOUSING	LCP Thermoplastic, UL94V-0;
1	SHELL	SUS304, T=0.15mm; NI 50u"

UNITS	SCALE	REV.	SHEET
mm	1:1	B3	1 OF 1
DATE		2017.04.15	
DR.		LIN YUN	
CHK.		LI JY	
APPD.		ZHANG	
GENERAL TOLERANCE			
X.	±0.30		
X.X	±0.25		
X.XX	±0.20		
X.XXX	±0.10		
X.X*	±3°		
X.XX*	±1°		

深圳市创勤科技有限公司
 SHENZHEN CHUANGQIN TECHNOLOGY CO., LTD.

TITLE
TCMMY24P侧铆不带板

MAT'L SEE TABLE FINISH SEE TABLE

DWG.NO. CQ013-TMMY2400008 A PART NO. SEE TABLE SIZE A4