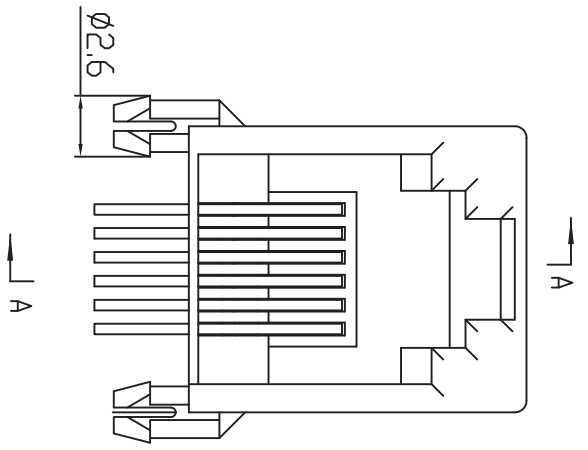
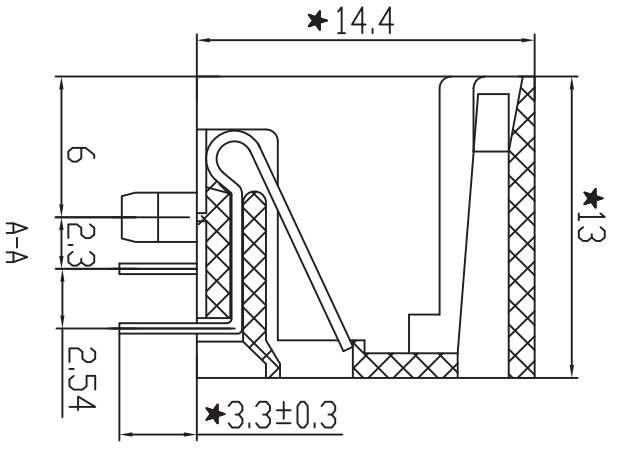
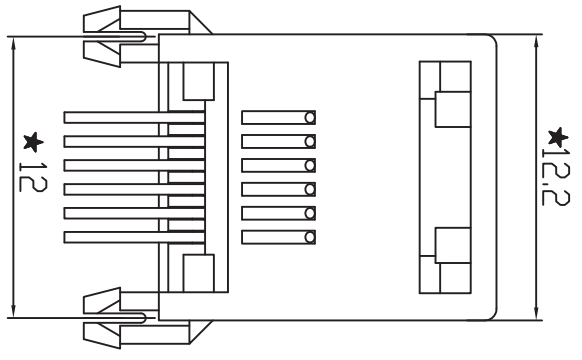
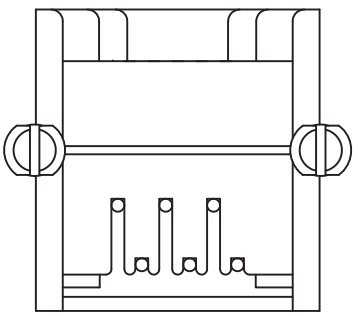
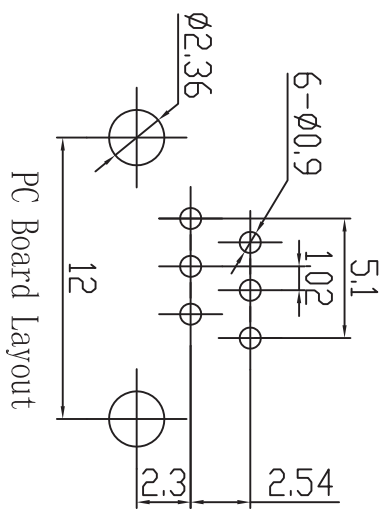


REVISION RECORD		
REV	DESCRIPTION	DATE
A/0		2007/08/10
A/1	Update edition	2008/06/05



PCB JACK Specification

1. Insulation Resistance: 500M ΩMIN @ 500 VDC
2. Withstanding Voltage: AC1000V 50Hz or 60Hz 1min.
3. Durability: 600 Mating Cycles MIN.
4. Cold Plating: (3:6;15:30:50)u inch

Remark:
1. The mark with ★ is the key inspection dimension for QC

Tolerances Unless		TELL	0755-27271717	深圳市创勤科技有限公司	
0~10mm	±0.1	Fax	0755-23016001	Shenzhen Chuangqin Technology Co., Ltd.	
11mm~20mm	±0.2	Units	MM	Material	5521 6P6C
21mm~40mm	±0.3	Scale	1 : 1	HOUSING	PBR
41mm~80mm	±0.4	Rev'	A / 1	PN	qsn6.5-0.1
81mm~150mm	±0.5	View		Date	2008/06/05
		Drawing	Approval	File Name	