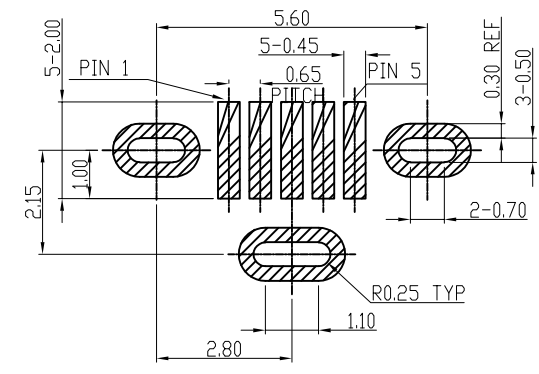
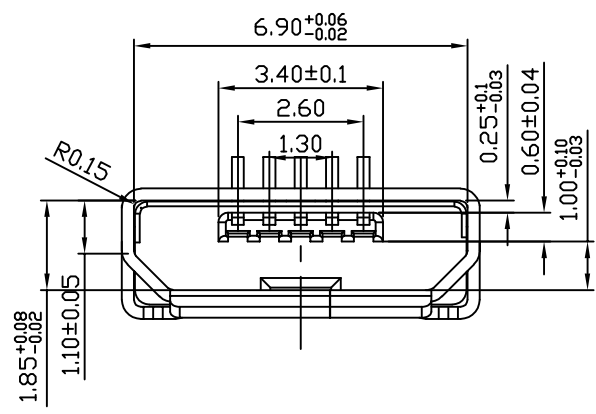
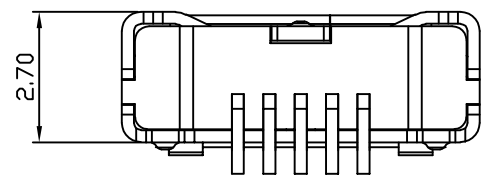
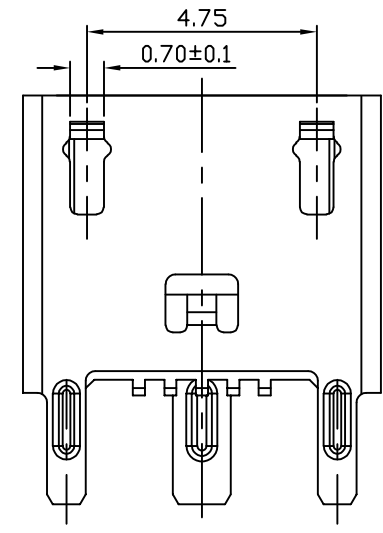
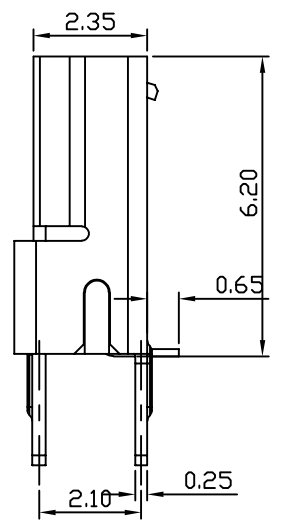
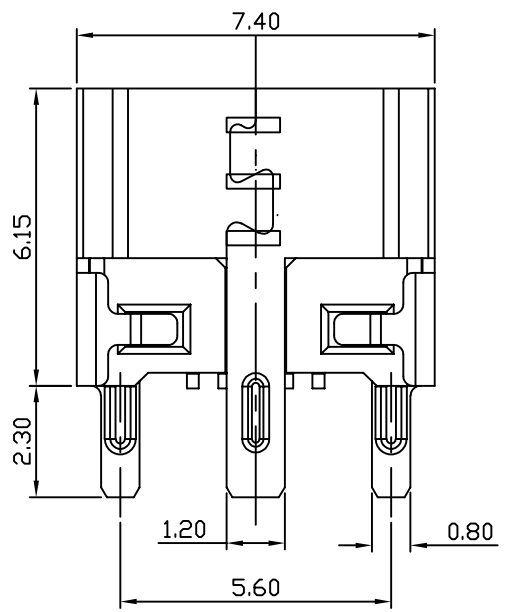


修改序号	修改说明	签名	日期
A/0			



RECOMMENDED PCB LAYOUT

- Note:
- Material:
 - Housing: High temperature thermoplastic with g.f, UL94v-0
 - Contact: copper alloy, $t=0.20\text{mm}$
 - Shell: SUS, $t=0.25\text{mm}$
 - Specification:
 - Current rating: 1.8A Max
 - Voltage rating - 30V DC
 - Dielectric withstanding voltage: 100V(AC) for 1 min.
 - Contact resistance: $40\text{m}\Omega$ Max.
 - Insulation resistance: $100\text{M}\Omega$ min.
 - Total mating force: 3.57 Kgf Max.
 - Total unmating force: 1.0 Kgf Min. $0.81 \sim 2.05$ Kgf Min. after 5,000 insertion/extraction cycles
 - Temperature range: $-30^{\circ}\text{C} \sim 80^{\circ}\text{C}$
 - Materials Used Must Meet RoHS Requirements

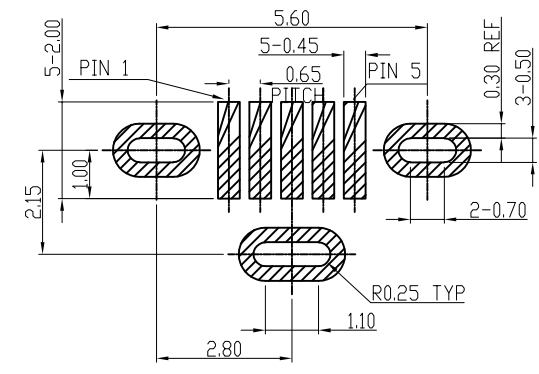
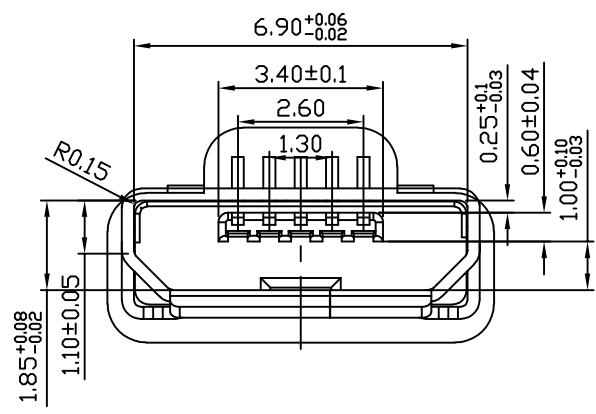


尺寸	允许公差
.x	±0.50
.x	±0.20
.xx	±0.10
.xxx	±0.03
角度	±1.00°

深圳市创勤科技有限公司
SHENZHEN CHUANGQIN TECHNOLOGY CO., LTD.

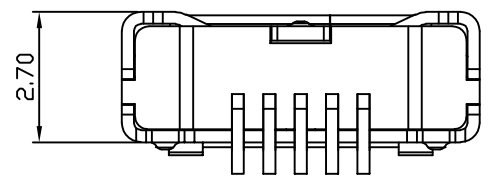
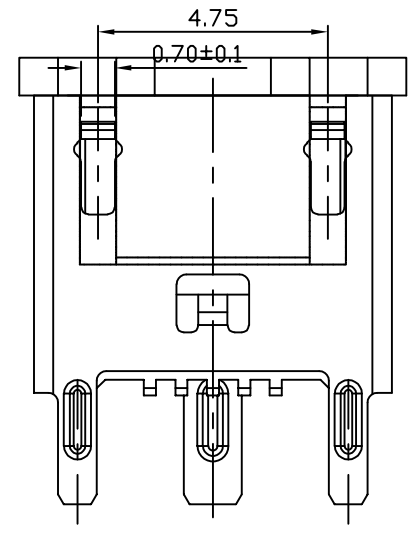
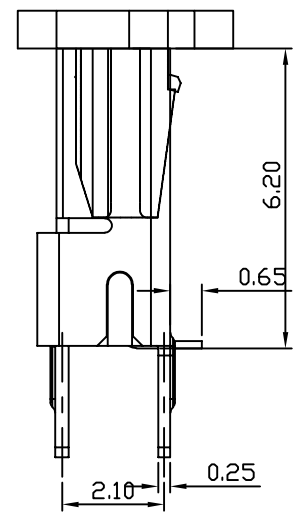
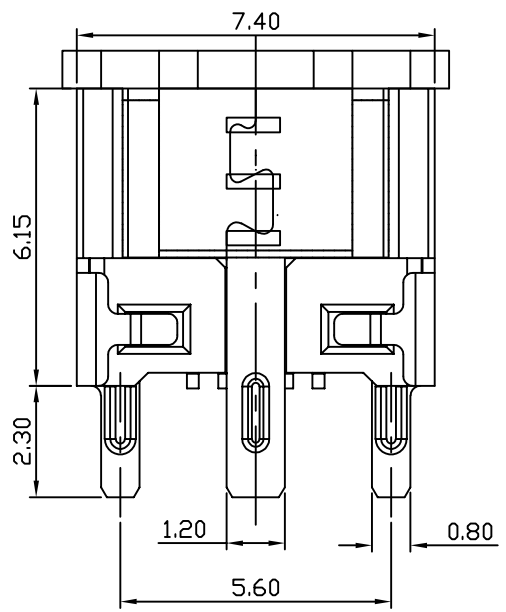
图纸类型		图纸名称:	
产品工程图		MICRO 5P F B TYPE 180插板立贴直边(L=6.2)	
设计	LIN YUN	2018.11.05	产品料号
审核			CQ028-MFLT56202001
		视图	版号: A/0

修改序号	修改说明	签名	日期
A/0			



RECOMMENDED PCB LAYOUT

- Note:
- Material:
 - Housing: High temperature thermoplastic with g.f, UL94v-0
 - Contact: copper alloy, t=0.20mm
 - Shell: SUS, t=0.25mm
 - Specification:
 - Current rating: 1.8A Max
 - Voltage rating - 30V DC
 - Dielectric withstanding voltage: 100V(AC) for 1 min.
 - Contact resistance: 40mΩ Max.
 - Insulation resistance: 100MΩ min.
 - Total mating force: 3.57 Kgf Max.
 - Total unmating force: 1.0 Kgf Min. 0.81~2.05 Kgf Min. after 5,000 insertion/extraction cycles
 - Temperature range: -30° C~80° C
 - Materials Used Must Meet RoHS Requirements



尺寸	允许公差
.x	±0.50
.x	±0.20
.xx	±0.10
.xxx	±0.03
角度	±1.00°

深圳市创勤科技有限公司
SHENZHEN CHUANGQIN TECHNOLOGY CO., LTD.

图纸类型		图纸名称:	
产品工程图		MICRO 5P F B TYPE 180插板立贴直边(L=6.2)带后塞	
设计	LIN YUN	2018.11.05	产品料号
审核			CQ028-MFLT56202001
		视图	版号: A/0