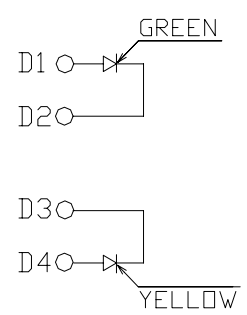
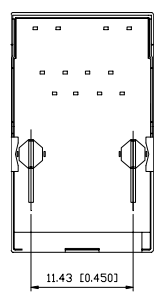
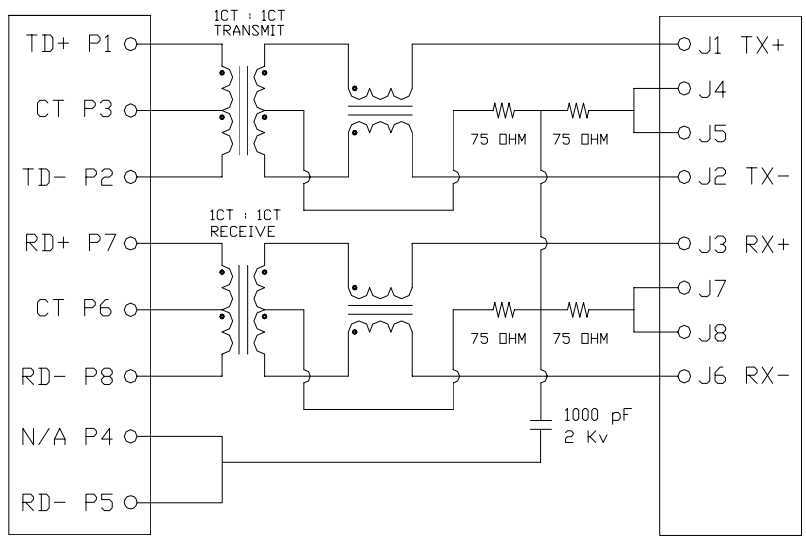


SUGGESTED PCB LAYOUT
(TOP VIEW)



ELECTRICAL SPECIFICATIONS @ 25°C±5°C unless otherwise noted:

- Insertion Loss:** 1-100MHZ -1.0dB MAX
- Return Loss:** 1-30MHZ -16.0dB MIN
30-60MHZ -14.0dB MIN
60-80MHZ -10.0dB MIN
- Cross Talk:** 1-30MHZ -40.0dB MIN
30-60MHZ -35.0dB MIN
60-80MHZ -30.0dB MIN
- CMR:** 1-100MHZ -35.0dB MIN
- Hi-Pot:** 1500v AC 6S 1mA
- OCL:** 350uH MIN @ 100KHZ 100mV 8mA DC



Contacts: 0.35mm thick phos bronze plated with 6u' gold in contact are

Turn Ratio: 1CT:1CT±3%

Operating temperature range: 0°C to +70°C

Housing Material: PBT Black



深圳市创勤科技有限公司
SHENZHEN CHUANGQIN TECHNOLOGY CO., LTD.

Drafted by CZ Lin

UNIT: mm
.xx +/-0.25 .xxx +/-0.13

10/100BASE
1X1Tab-Up RJ45

Approved By : Herman Au

P/N: HRJ-CQ1B013M1002BNL

REV.
A

Sheet 1 of 1